

**Docking
Drawer®**

blum®

Docking Drawer Blade Series Mounting Diagrams

for Blum LEGRABOX & TANDEMBOX

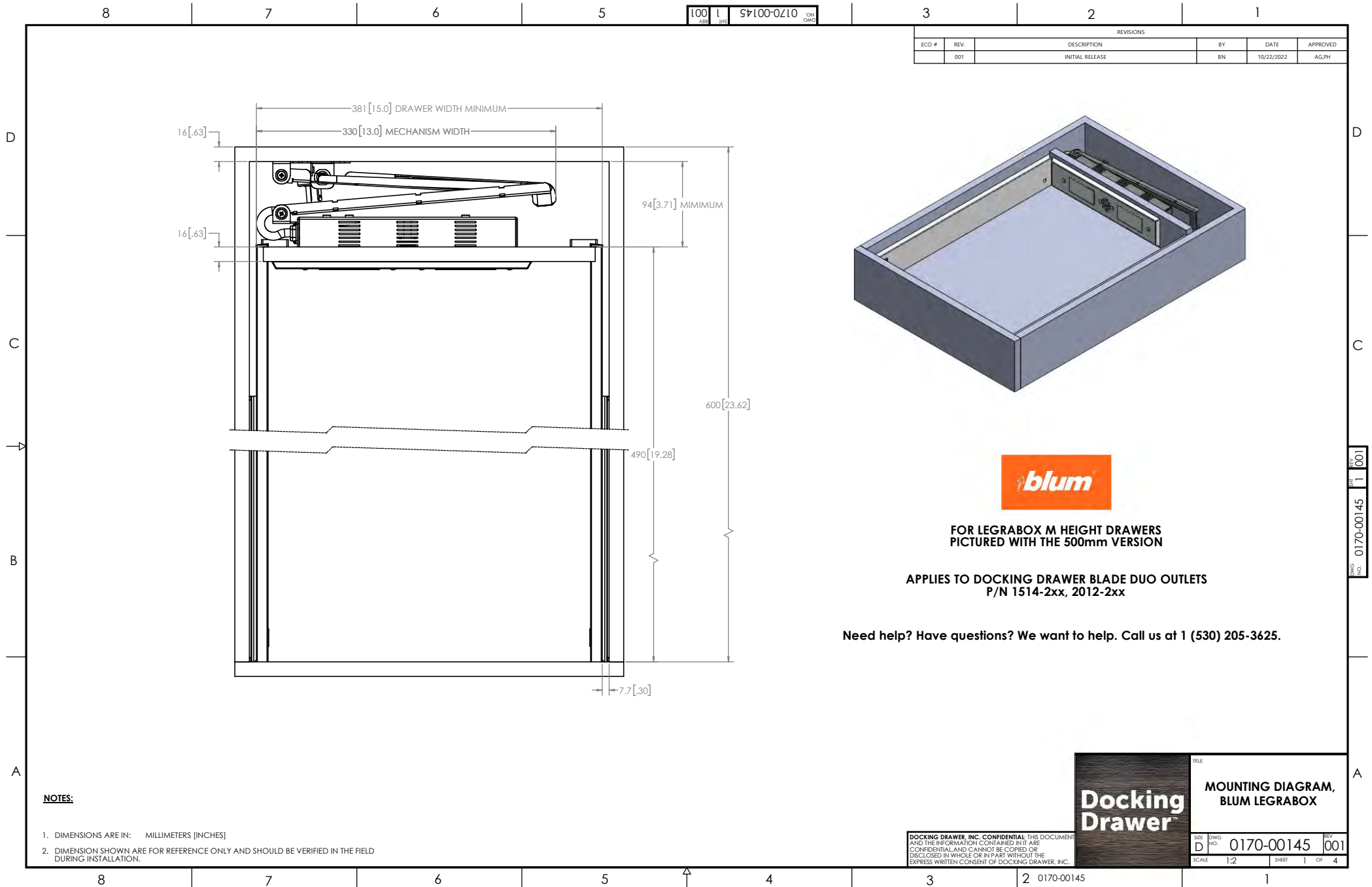


Choose Your Drawer Box System

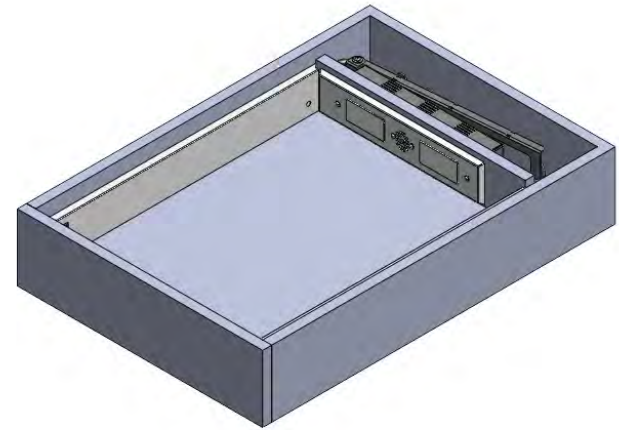
- 3** | LEGRABOX - M Height Drawers
- 11** | LEGRABOX - C, F & K Height Drawers
- 19** | TANDEMBOX - M Height Drawers
- 27** | TANDEMBOX - C & D Height Drawers

Blade Duo for LEGRABOX M Height Drawers

Back to Contents →



REVISIONS					
ECD #	REV.	DESCRIPTION	BY	DATE	APPROVED
	001	INITIAL RELEASE	BN	10/22/2022	AG,PH



FOR LEGRABOX M HEIGHT DRAWERS
PICTURED WITH THE 500mm VERSION

APPLIES TO DOCKING DRAWER BLADE DUO OUTLETS
P/N 1514-2xx, 2012-2xx

Need help? Have questions? We want to help. Call us at 1 (530) 205-3625.

NOTES:

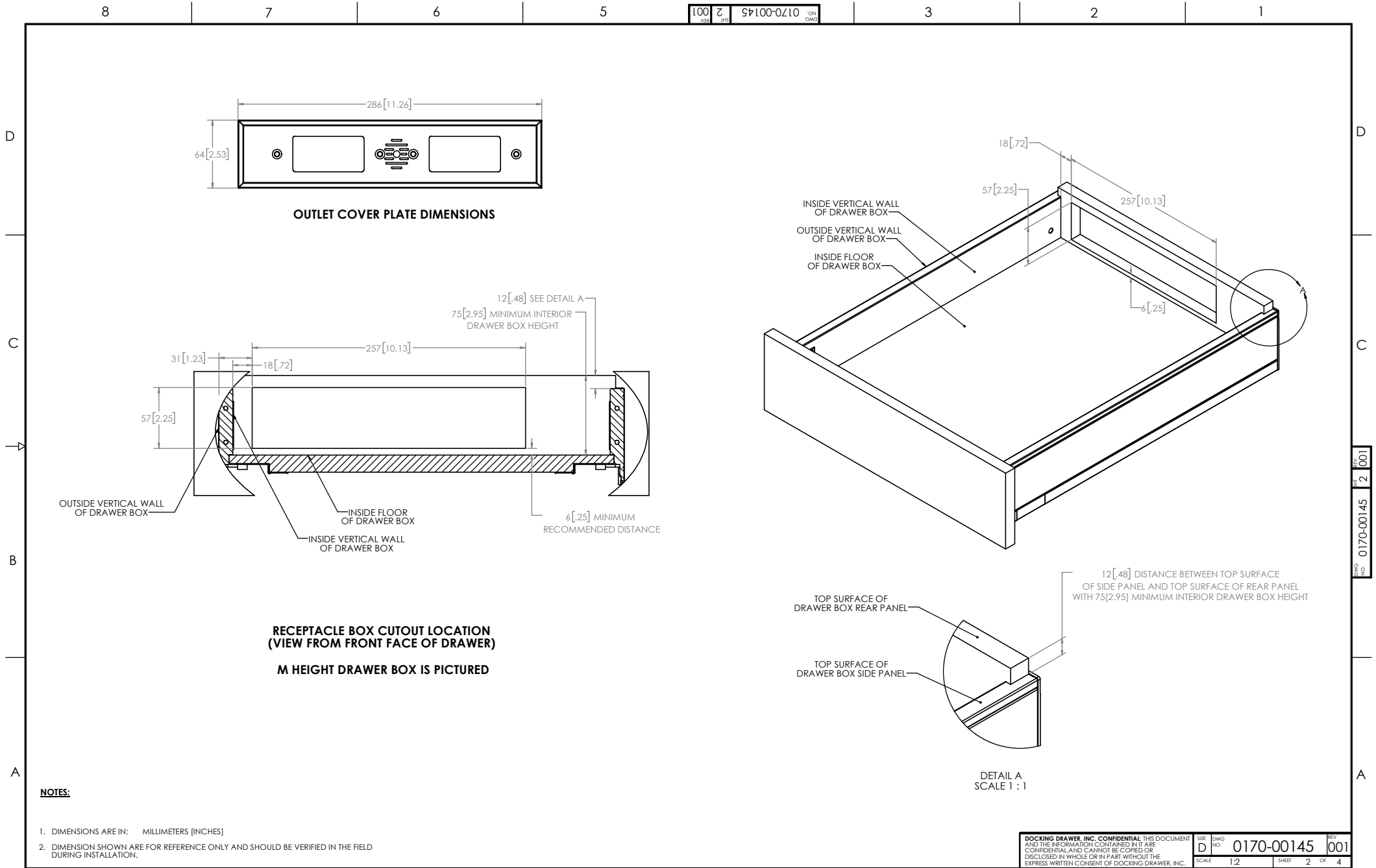
1. DIMENSIONS ARE IN: MILLIMETERS [INCHES]
2. DIMENSION SHOWN ARE FOR REFERENCE ONLY AND SHOULD BE VERIFIED IN THE FIELD DURING INSTALLATION.

DOCKING DRAWER, INC. CONFIDENTIAL: THIS DOCUMENT AND THE INFORMATION CONTAINED IN IT ARE CONFIDENTIAL AND CANNOT BE COPIED OR DISCLOSED IN WHOLE OR IN PART WITHOUT THE EXPRESS WRITTEN CONSENT OF DOCKING DRAWER, INC.

Docking Drawer™	TITLE	
	MOUNTING DIAGRAM, BLUM LEGRABOX	
SIZE	DWG. NO.	REV.
D	0170-00145	001
SCALE	1:2	SHEET 1 OF 4

Blade Duo for LEGRABOX M Height Drawers

Back to Contents →

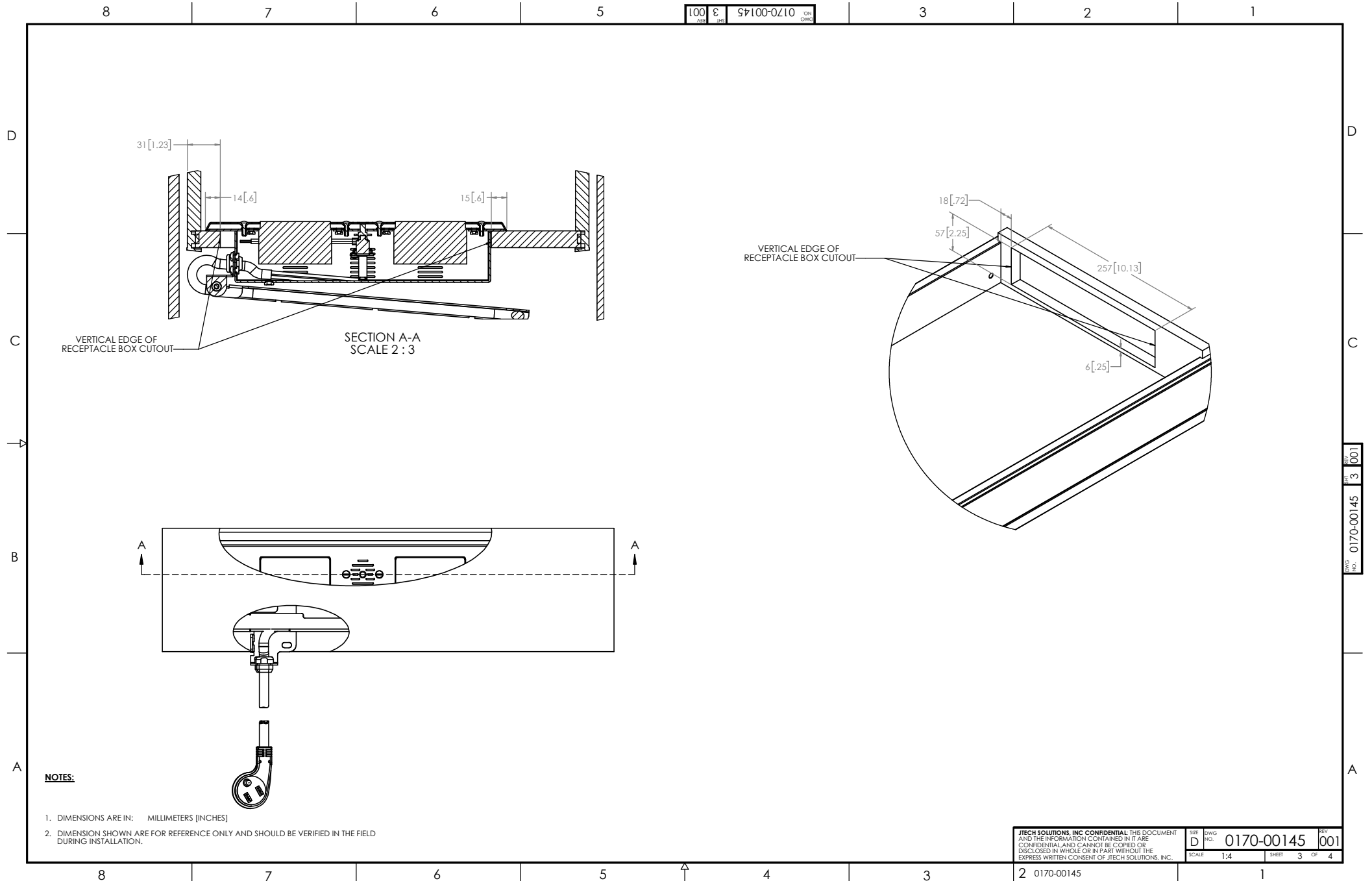


REV 001
SHEET 2 OF 4
DWG NO. 0170-00145

DOCKING DRAWER, INC. CONFIDENTIAL THIS DOCUMENT AND THE INFORMATION CONTAINED HEREIN ARE CONFIDENTIAL AND CANNOT BE COPIED OR DISCLOSED IN WHOLE OR IN PART WITHOUT THE EXPRESS WRITTEN CONSENT OF DOCKING DRAWER, INC.		DATE: D	DWG NO.: 0170-00145	REV: 001
SCALE: 1:2	SHEET: 2	OF: 4		

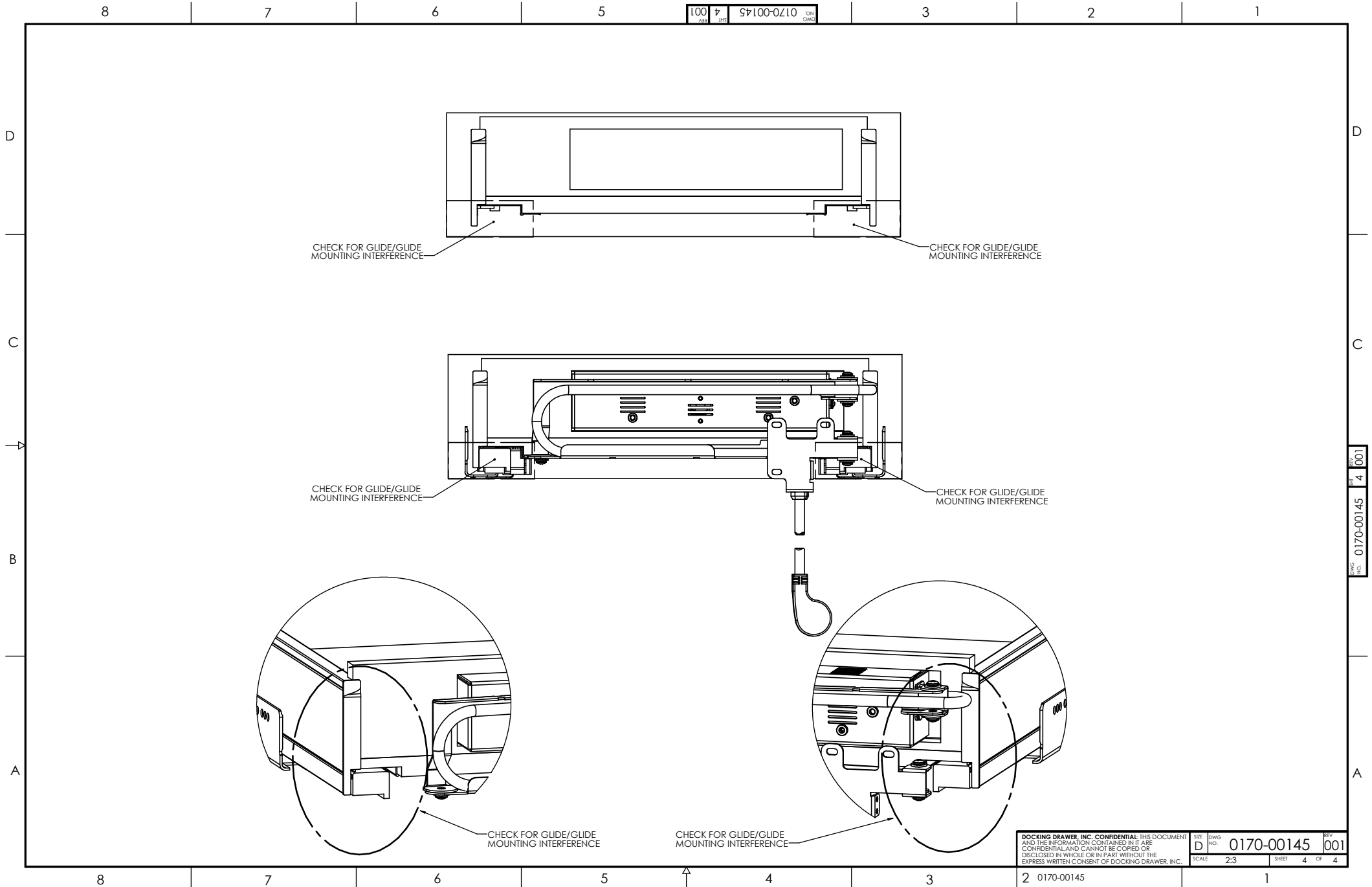
Blade Duo for LEGRABOX M Height Drawers

Back to Contents →



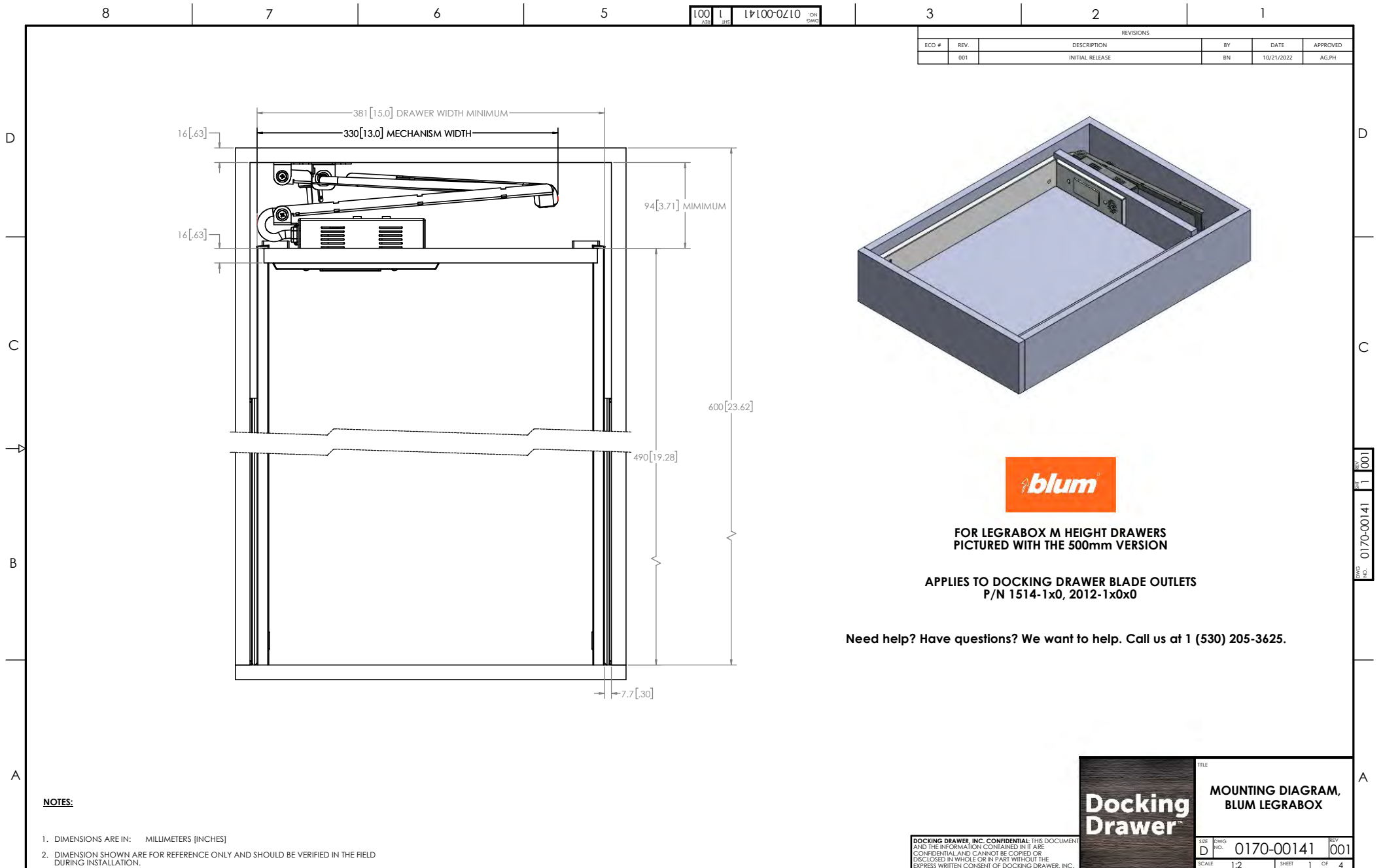
Blade Duo for LEGRABOX M Height Drawers

Back to Contents →

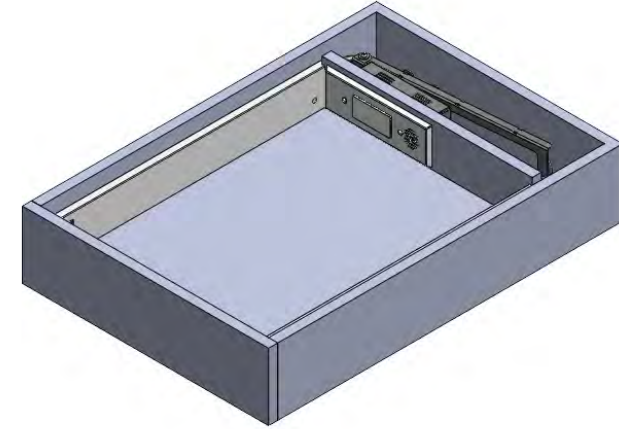


Blade for LEGRABOX M Height Drawers

Back to Contents →



REVISIONS					
ECO #	REV.	DESCRIPTION	BY	DATE	APPROVED
	001	INITIAL RELEASE	BN	10/21/2022	AG,PH



FOR LEGRABOX M HEIGHT DRAWERS
PICTURED WITH THE 500mm VERSION

APPLIES TO DOCKING DRAWER BLADE OUTLETS
P/N 1514-1x0, 2012-1x0x0

Need help? Have questions? We want to help. Call us at 1 (530) 205-3625.

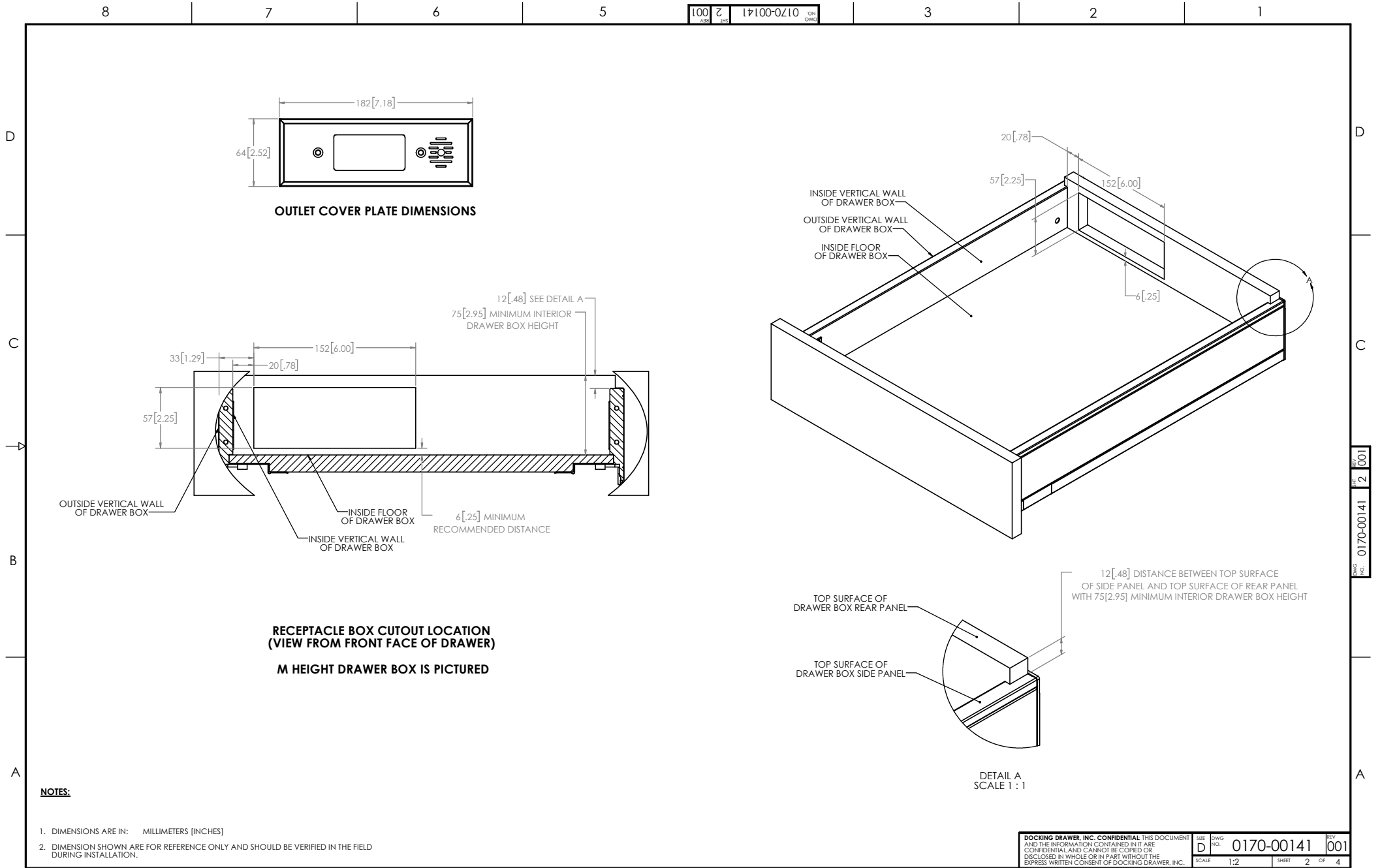
- NOTES:**
1. DIMENSIONS ARE IN: MILLIMETERS [INCHES]
 2. DIMENSION SHOWN ARE FOR REFERENCE ONLY AND SHOULD BE VERIFIED IN THE FIELD DURING INSTALLATION.

Docking
Drawer

**MOUNTING DIAGRAM,
BLUM LEGRABOX**

SIZE	DWG	NO.	0170-00141	REV	001
SCALE	1:2	SHEET	1	OF	4

Blade for LEGRABOX M Height Drawers

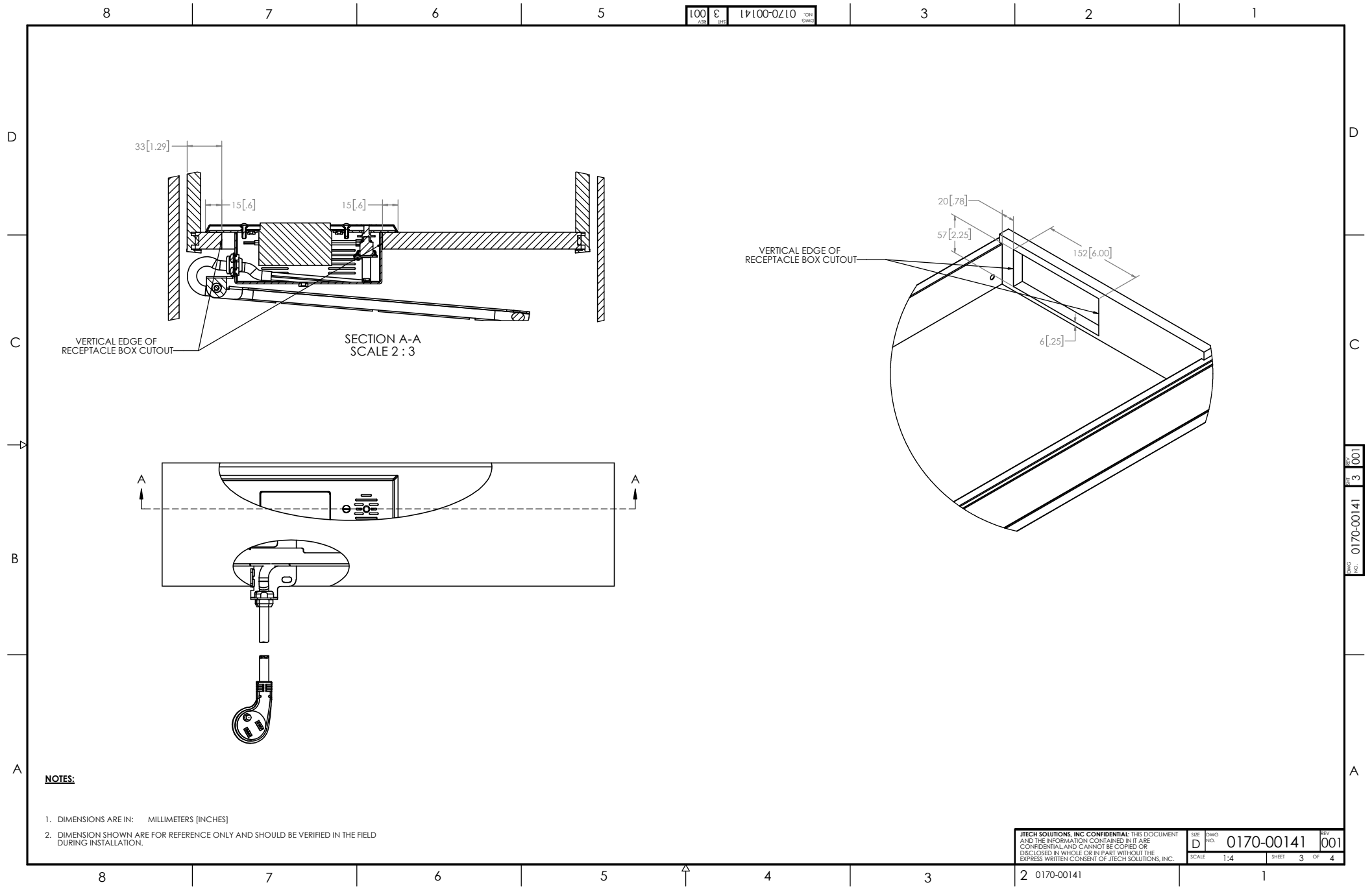


REV 2 001
DWG NO. 0170-00141
DATE 01/10/10

REV 2 001
DWG NO. 0170-00141
DATE 01/10/10

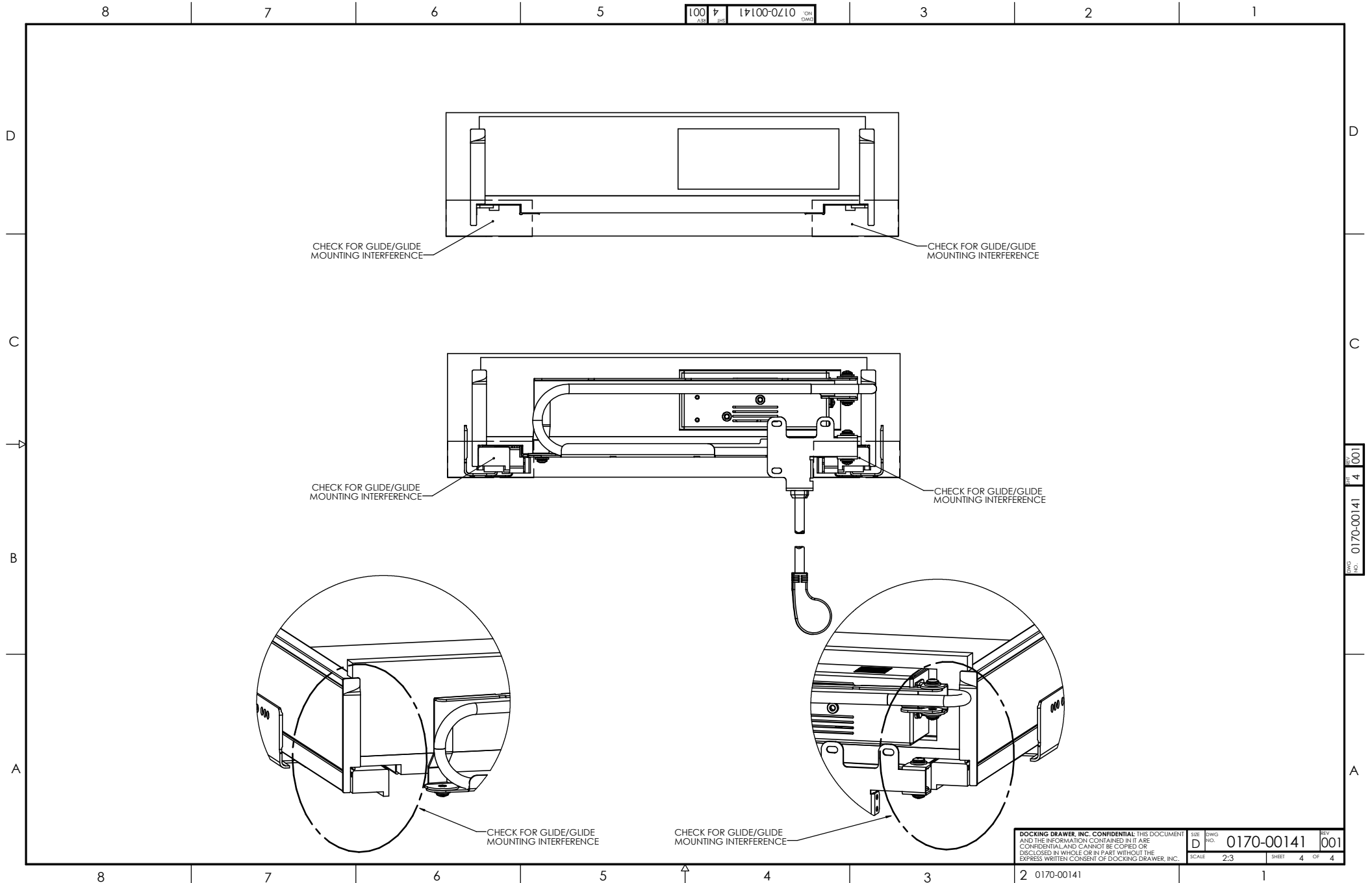
DOCKING DRAWER, INC. CONFIDENTIAL THIS DOCUMENT AND THE INFORMATION CONTAINED IN IT ARE CONFIDENTIAL AND CANNOT BE COPIED OR DISCLOSED IN WHOLE OR IN PART WITHOUT THE EXPRESS WRITTEN CONSENT OF DOCKING DRAWER, INC.			
SIZE D	DWG NO. 0170-00141	REV 001	
SCALE 1:2	SHEET 2	OF 4	

Blade for LEGRABOX M Height Drawers



Blade for LEGRABOX M Height Drawers

Back to Contents →

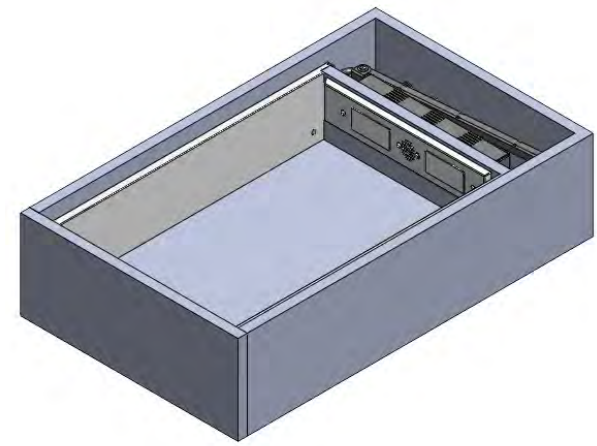
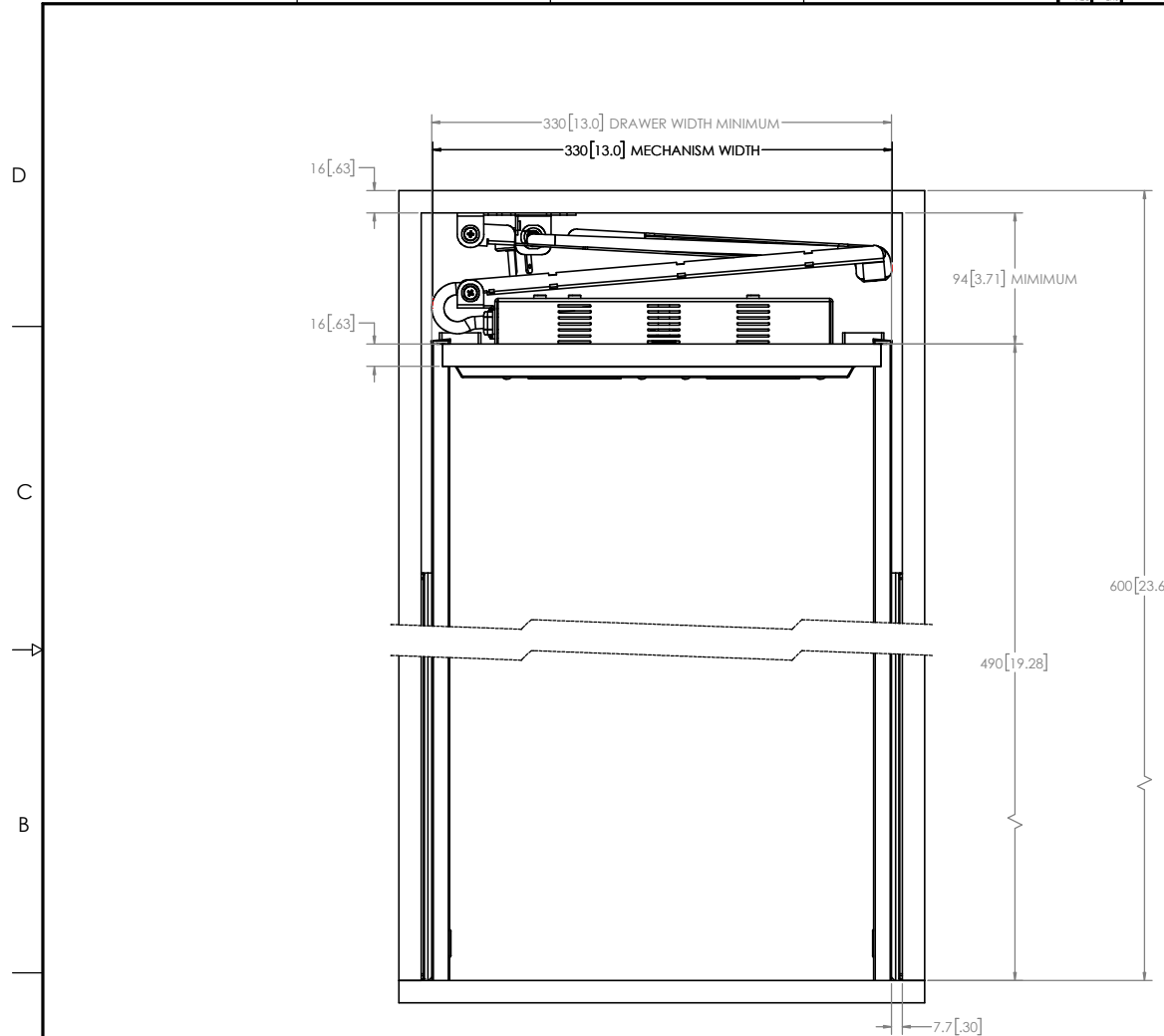


Blade Duo for LEGRABOX C, F & K Height Drawers

Back to Contents →

100 1 001 0170-00144 ON 0100

REVISIONS					
ECO #	REV.	DESCRIPTION	BY	DATE	APPROVED
	001	INITIAL RELEASE	BN	10/22/2022	AG.PH



FOR LEGRABOX C, F AND K HEIGHT DRAWERS
K HEIGHT IS PICTURED WITH THE 500mm VERSION

APPLIES TO DOCKING DRAWER BLADE DUO OUTLETS
P/N 1514-2xx, 2012-2xx

Need help? Have questions? We want to help. Call us at 1 (530) 205-3625.

NOTES:

1. DIMENSIONS ARE IN: MILLIMETERS [INCHES]
2. DIMENSION SHOWN ARE FOR REFERENCE ONLY AND SHOULD BE VERIFIED IN THE FIELD DURING INSTALLATION.

DOCKING DRAWER, INC. CONFIDENTIAL: THIS DOCUMENT AND THE INFORMATION CONTAINED IN IT ARE CONFIDENTIAL AND CANNOT BE COPIED OR DISCLOSED IN WHOLE OR IN PART WITHOUT THE EXPRESS WRITTEN CONSENT OF DOCKING DRAWER, INC.

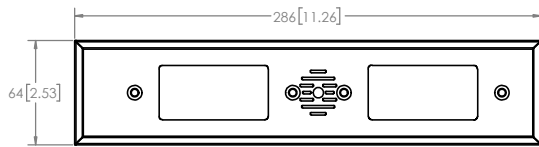
Docking Drawer	TITLE	
	MOUNTING DIAGRAM, BLUM LEGRABOX	
SIZE	DWG. NO.	REV.
D	0170-00144	001
SCALE	1:2	SHEET 1 OF 4

DWG. NO. 0170-00144 REV. 001

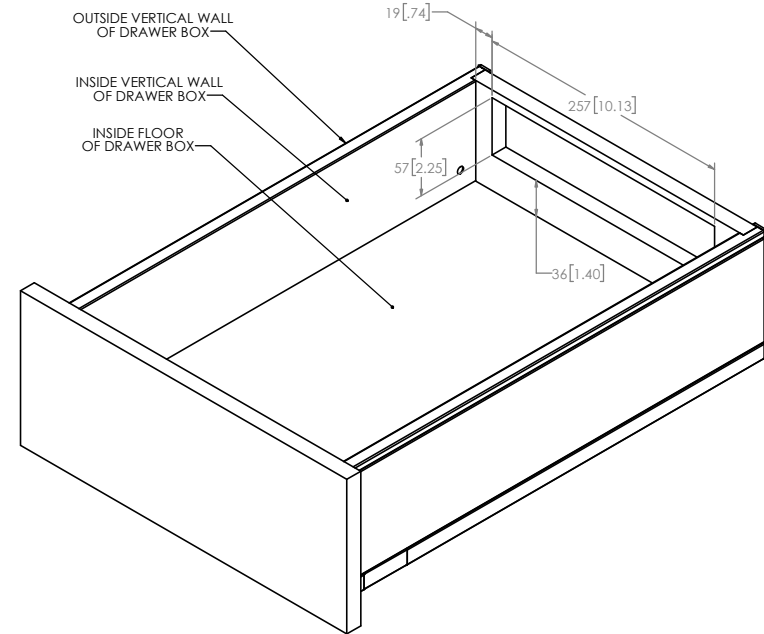
Blade Duo for LEGRABOX C, F & K Height Drawers

Back to Contents →

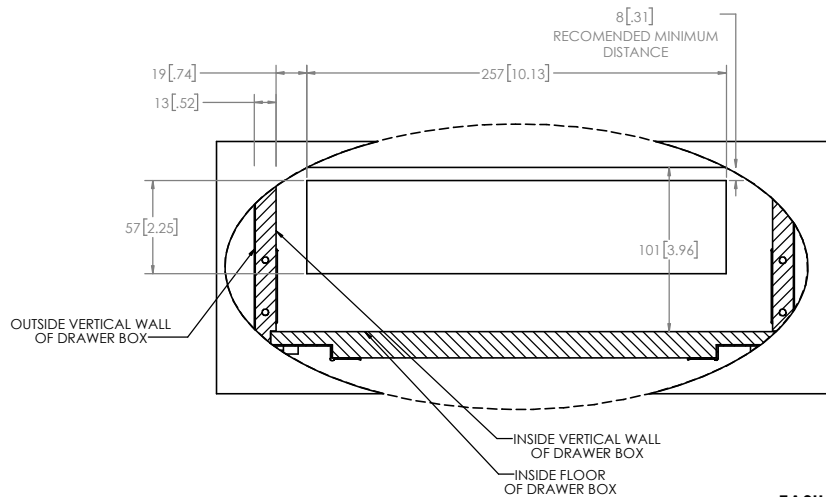
100 2 0170-00144 DWG



OUTLET COVER PLATE DIMENSIONS



**K HEIGHT DRAWER BOX IS PICTURED
C AND F HEIGHT DRAWER BOXES ARE TALLER AND
EASILY ACCOMMODATE DOCKING DRAWER BLADE DUO OUTLETS**



**RECEPTACLE BOX CUTOUT LOCATION
(VIEW FROM FRONT FACE OF DRAWER)**

NOTES:

1. DIMENSIONS ARE IN: MILLIMETERS [INCHES]
2. DIMENSION SHOWN ARE FOR REFERENCE ONLY AND SHOULD BE VERIFIED IN THE FIELD DURING INSTALLATION.

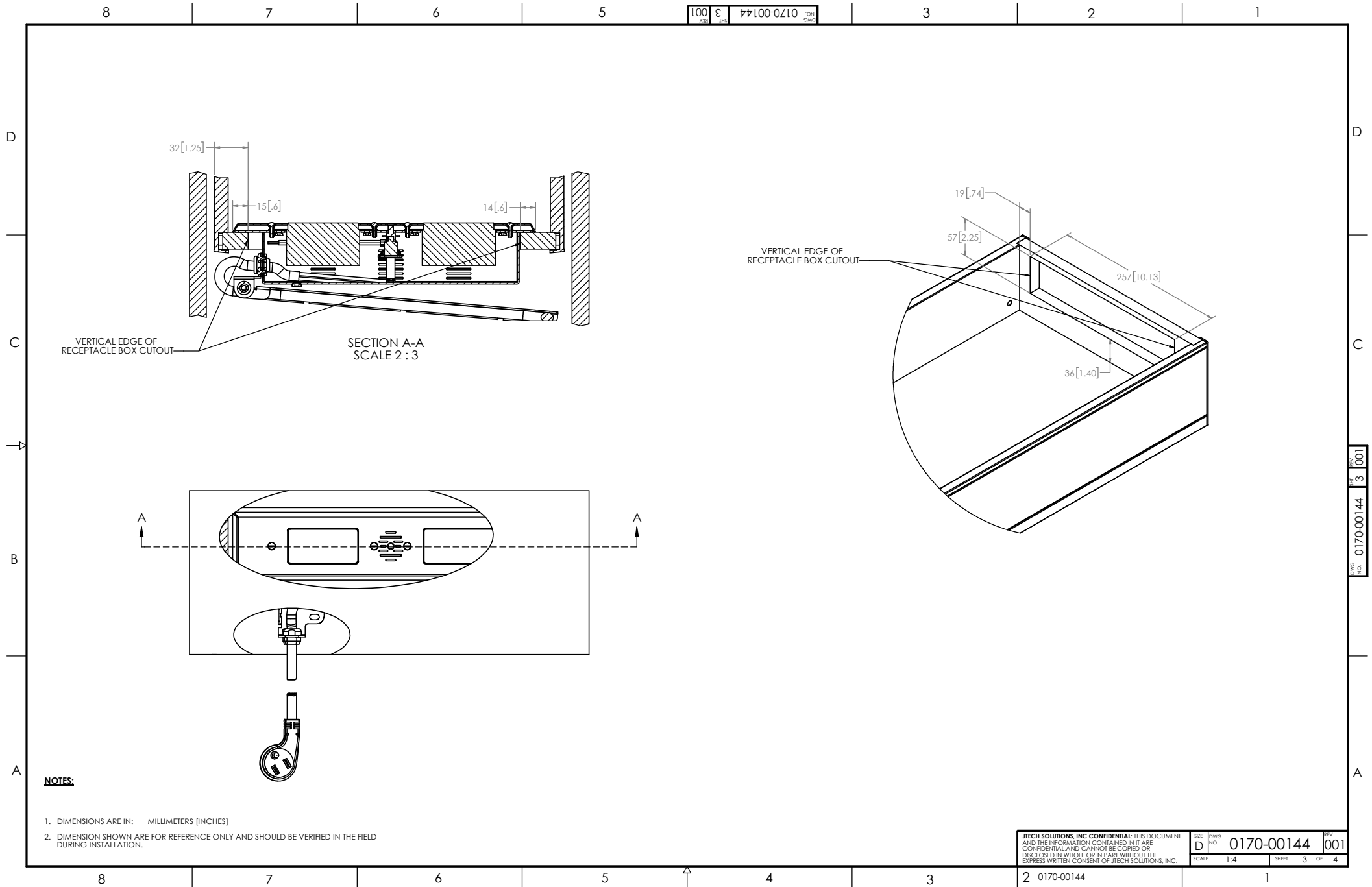
DOCKING DRAWER, INC. CONFIDENTIAL: THIS DOCUMENT AND THE INFORMATION CONTAINED IN IT ARE CONFIDENTIAL AND CANNOT BE COPIED OR DISCLOSED IN WHOLE OR IN PART WITHOUT THE EXPRESS WRITTEN CONSENT OF DOCKING DRAWER, INC.		SIZE: D	DWG NO.: 0170-00144	REV: 001
		SCALE: 1:2	SHEET: 2	OF: 4

2 0170-00144

1

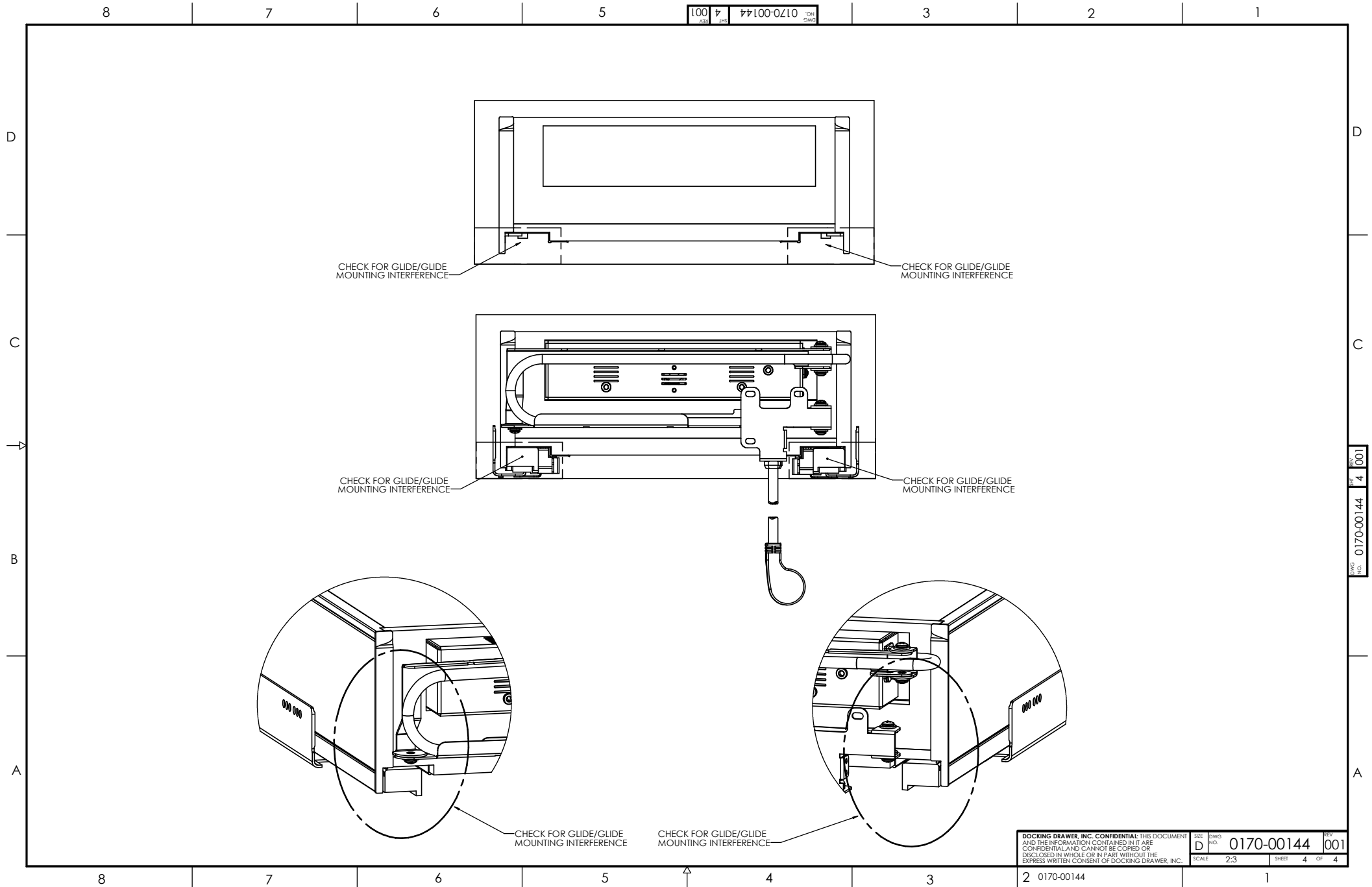
Blade Duo for LEGRABOX C, F & K Height Drawers

Back to Contents →



Blade Duo for LEGRABOX C, F & K Height Drawers

Back to Contents →



DOCKING DRAWER, INC. CONFIDENTIAL: THIS DOCUMENT AND THE INFORMATION CONTAINED IN IT ARE CONFIDENTIAL AND CANNOT BE COPIED OR DISCLOSED IN WHOLE OR IN PART WITHOUT THE EXPRESS WRITTEN CONSENT OF DOCKING DRAWER, INC.

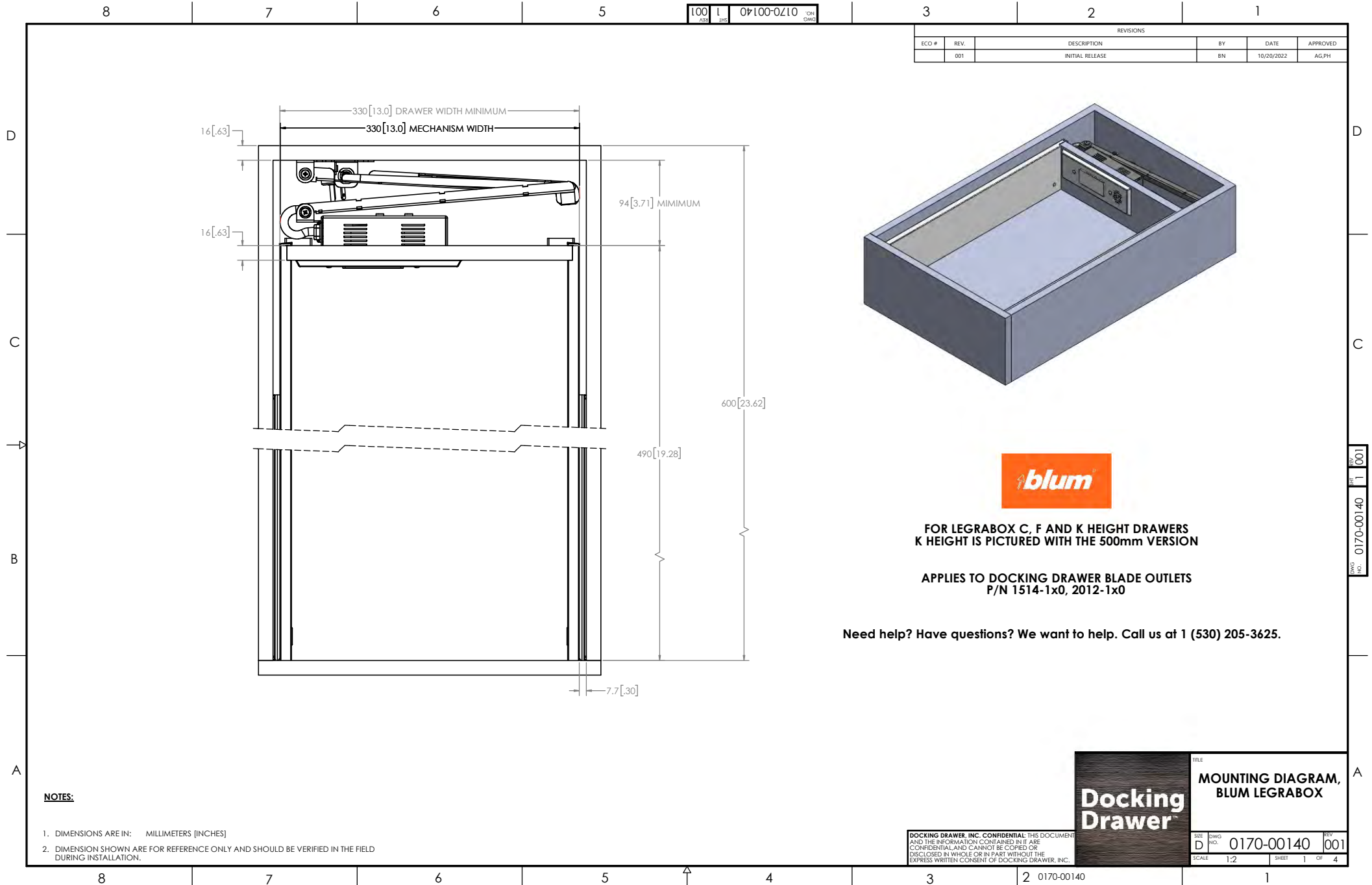
SIZE	D	NO.	0170-00144	REV	001
SCALE	2:3	SHEET	4	OF	4

2 0170-00144

1

Blade for LEGRABOX C, F & K Height Drawers

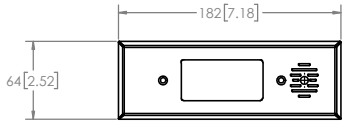
Back to Contents →



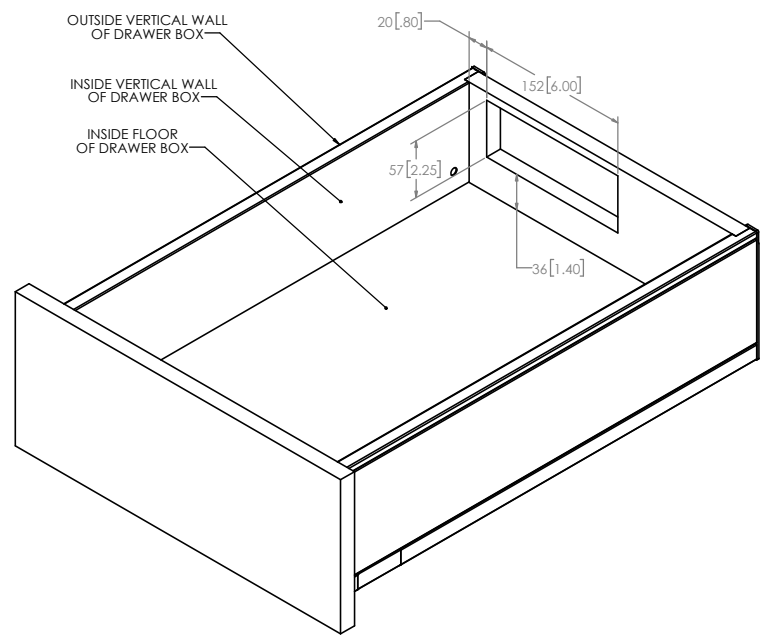
Blade for LEGRABOX C, F & K Height Drawers

[Back to Contents](#) →

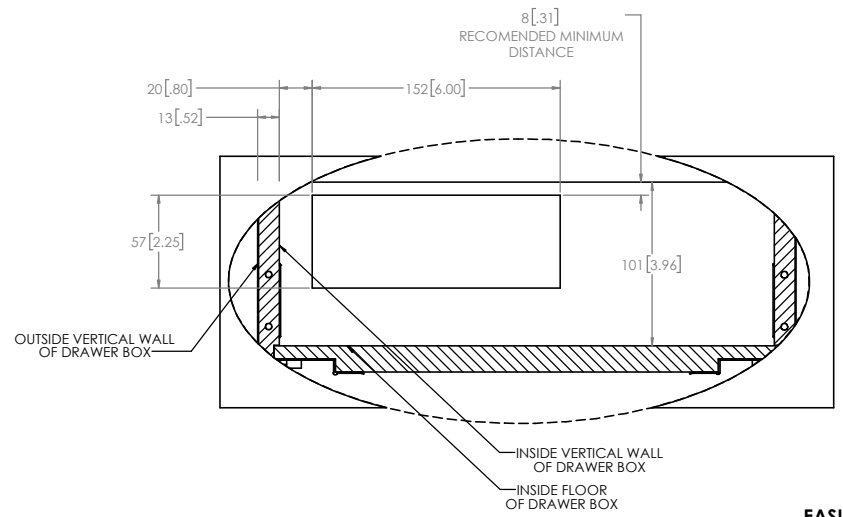
DWG NO: 0170-00140
REV: 2
DATE: 10/01



OUTLET COVER PLATE DIMENSIONS



K HEIGHT DRAWER BOX IS PICTURED
C AND F HEIGHT DRAWER BOXES ARE TALLER AND EASILY ACCOMMODATE DOCKING DRAWER BLADE OUTLETS



RECEPTACLE BOX CUTOUT LOCATION (VIEW FROM FRONT FACE OF DRAWER)

NOTES:

1. DIMENSIONS ARE IN: MILLIMETERS [INCHES]
2. DIMENSION SHOWN ARE FOR REFERENCE ONLY AND SHOULD BE VERIFIED IN THE FIELD DURING INSTALLATION.

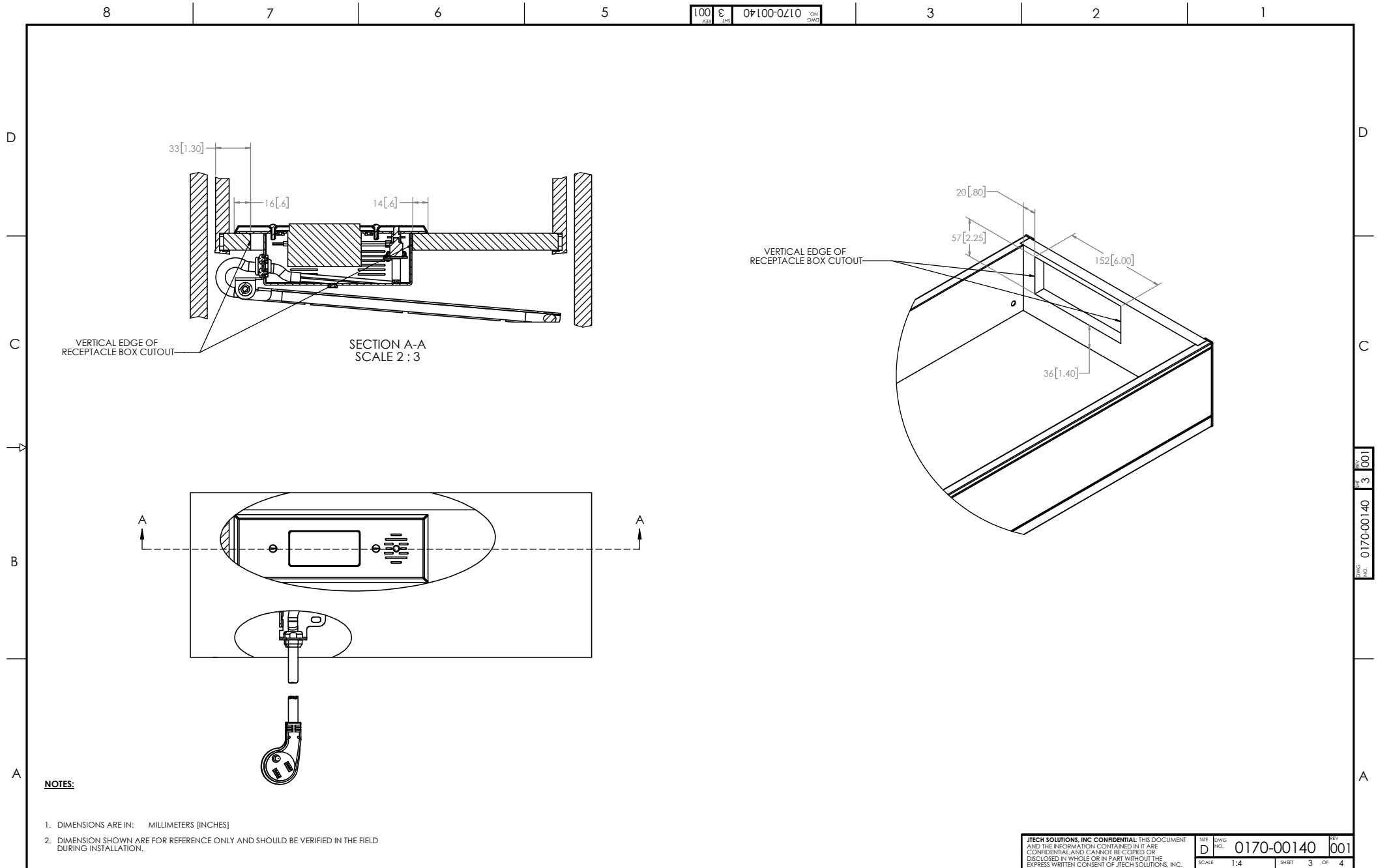
DOCKING DRAWER, INC. CONFIDENTIAL THIS DOCUMENT AND THE INFORMATION CONTAINED HEREIN ARE CONFIDENTIAL AND CANNOT BE COPIED OR DISCLOSED IN WHOLE OR IN PART WITHOUT THE EXPRESS WRITTEN CONSENT OF DOCKING DRAWER, INC.		SIZE: D	DWG NO: 0170-00140	REV: 001
		SCALE: 1/2	SHEET: 2	OF: 4

2 0170-00140

1

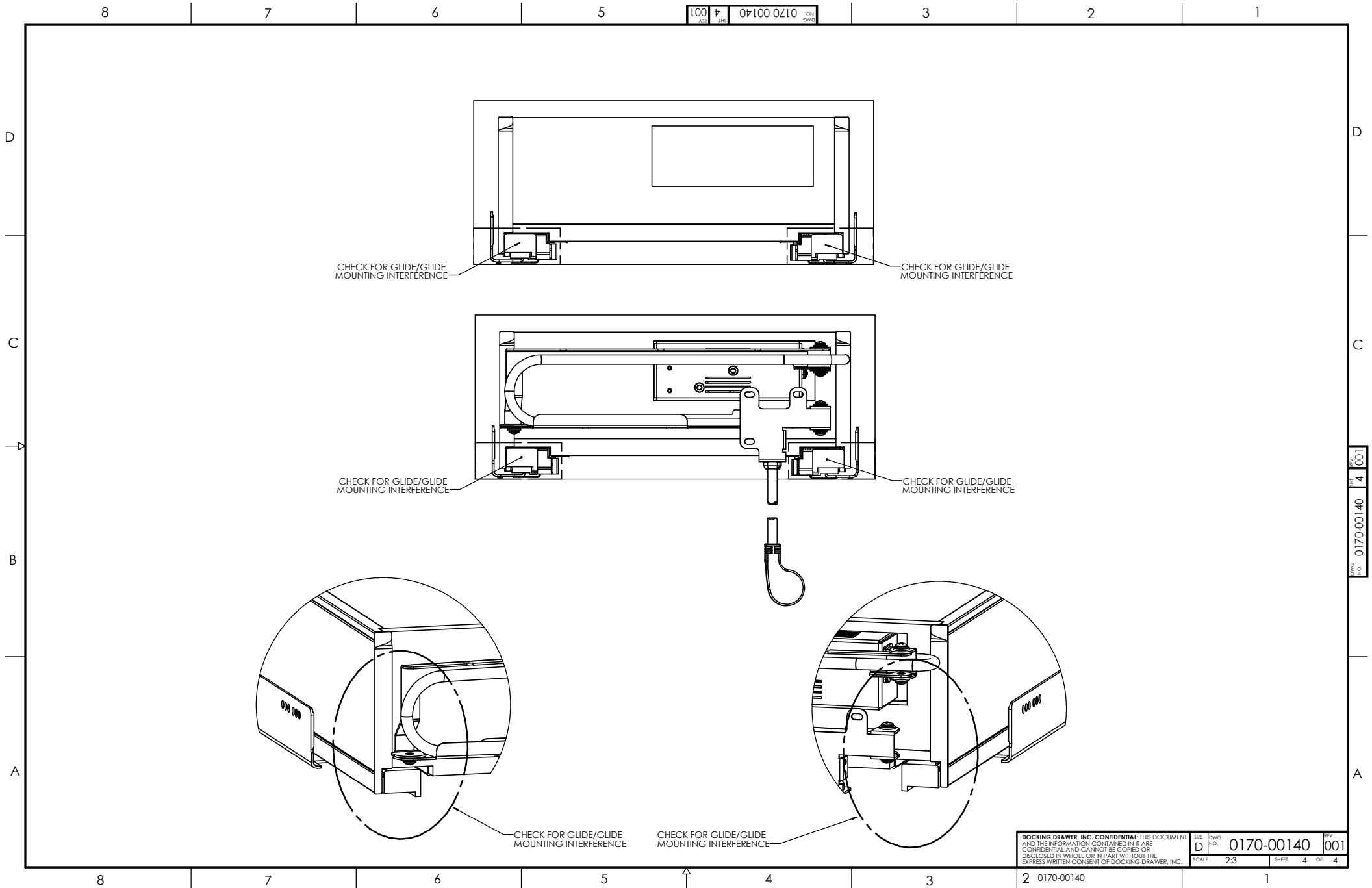
Blade for LEGRABOX C, F & K Height Drawers

Back to Contents →



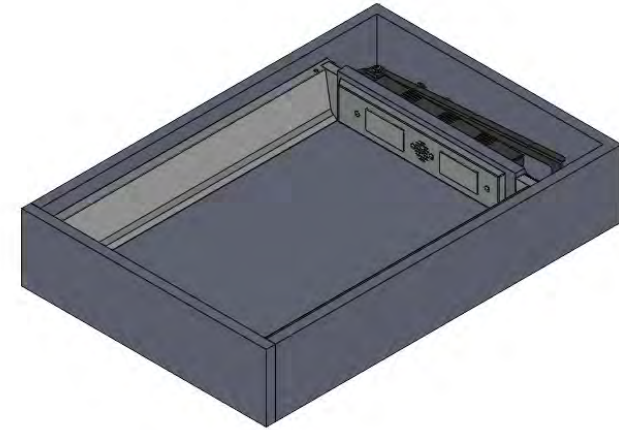
Blade for LEGRABOX C, F & K Height Drawers

Back to Contents →



Blade Duo for TANDEMBOX M Height Drawers

Back to Contents →



**FOR TANDEMBOX M HEIGHT DRAWERS
PICTURED WITH THE 500mm VERSION**

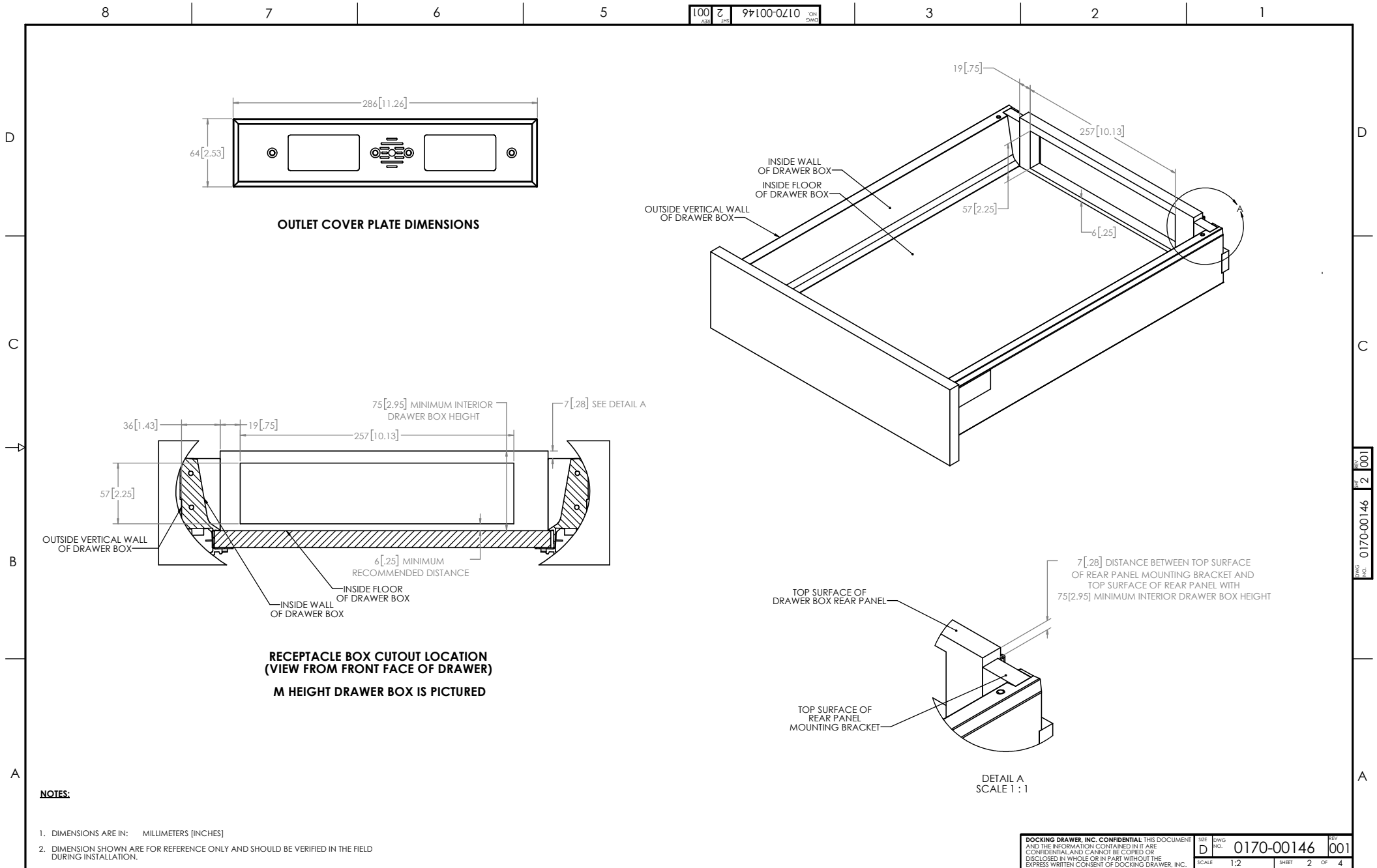
**APPLIES TO DOCKING DRAWER BLADE DUO OUTLETS
P/N 1514-2xx, 2012-2xx**

Need help? Have questions? We want to help. Call us at 1 (530) 205-3625.

Docking Drawer	TITLE	
	MOUNTING DIAGRAM, BLUM TANDEMBOX	
DOCKING DRAWER, INC. CONFIDENTIAL: THIS DOCUMENT AND THE INFORMATION CONTAINED IN IT ARE CONFIDENTIAL AND CANNOT BE COPIED OR DISCLOSED IN WHOLE OR IN PART WITHOUT THE EXPRESS WRITTEN CONSENT OF DOCKING DRAWER, INC.	DWG NO.	REV
	D 0170-00146	001
SCALE: 1:2	SHEET	1 OF 4

Blade Duo for TANDEMBOX M Height Drawers

100 2 0170-00146 DWG 001

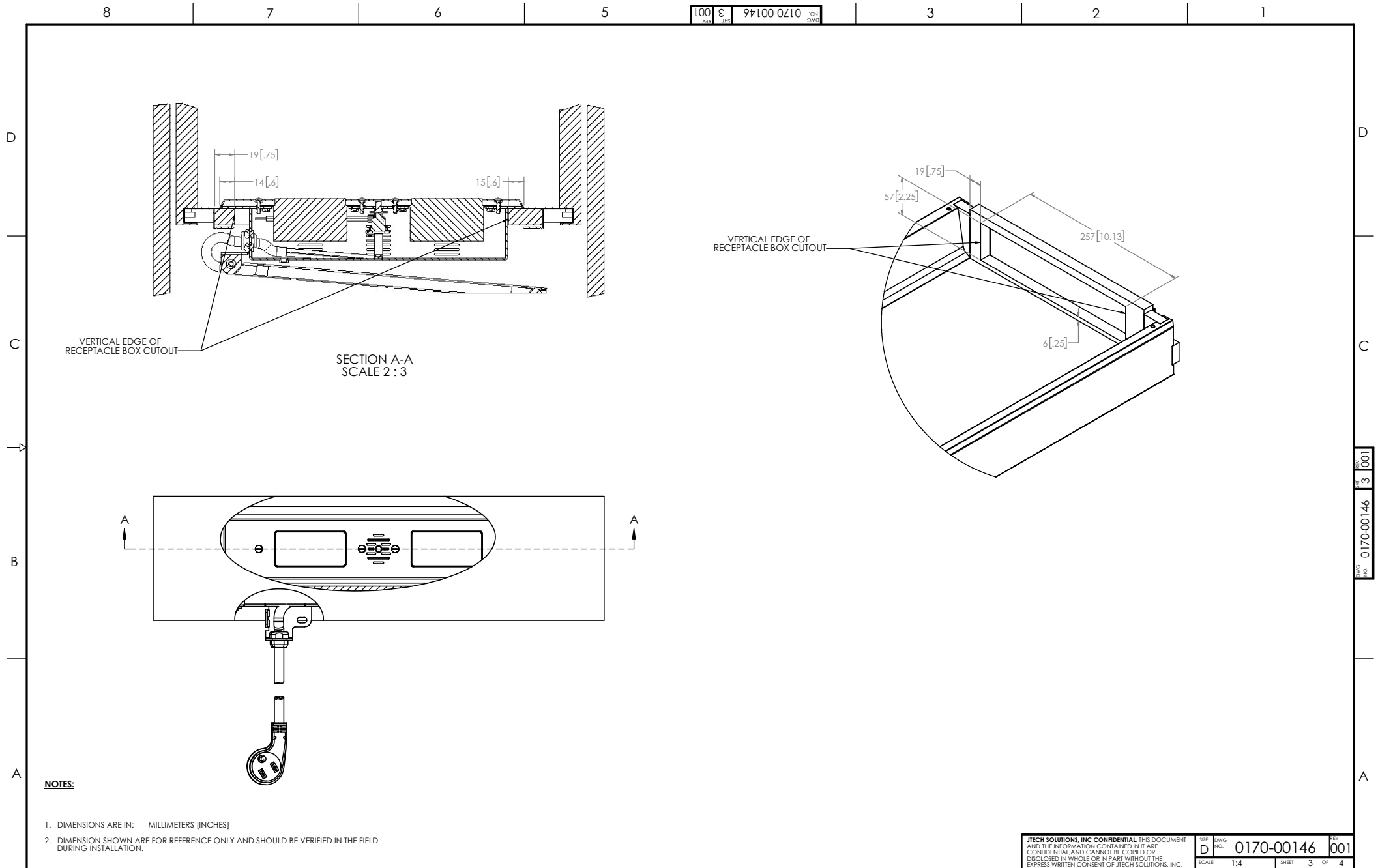


100 2 0170-00146 DWG 001

DOCKING DRAWER, INC. CONFIDENTIAL THIS DOCUMENT AND THE INFORMATION CONTAINED IN IT ARE CONFIDENTIAL AND CANNOT BE COPIED OR DISCLOSED IN WHOLE OR IN PART WITHOUT THE EXPRESS WRITTEN CONSENT OF DOCKING DRAWER, INC.		SIZE	DWG NO.	REV
		D	0170-00146	001
SCALE	1:2	SHEET	2	OF 4

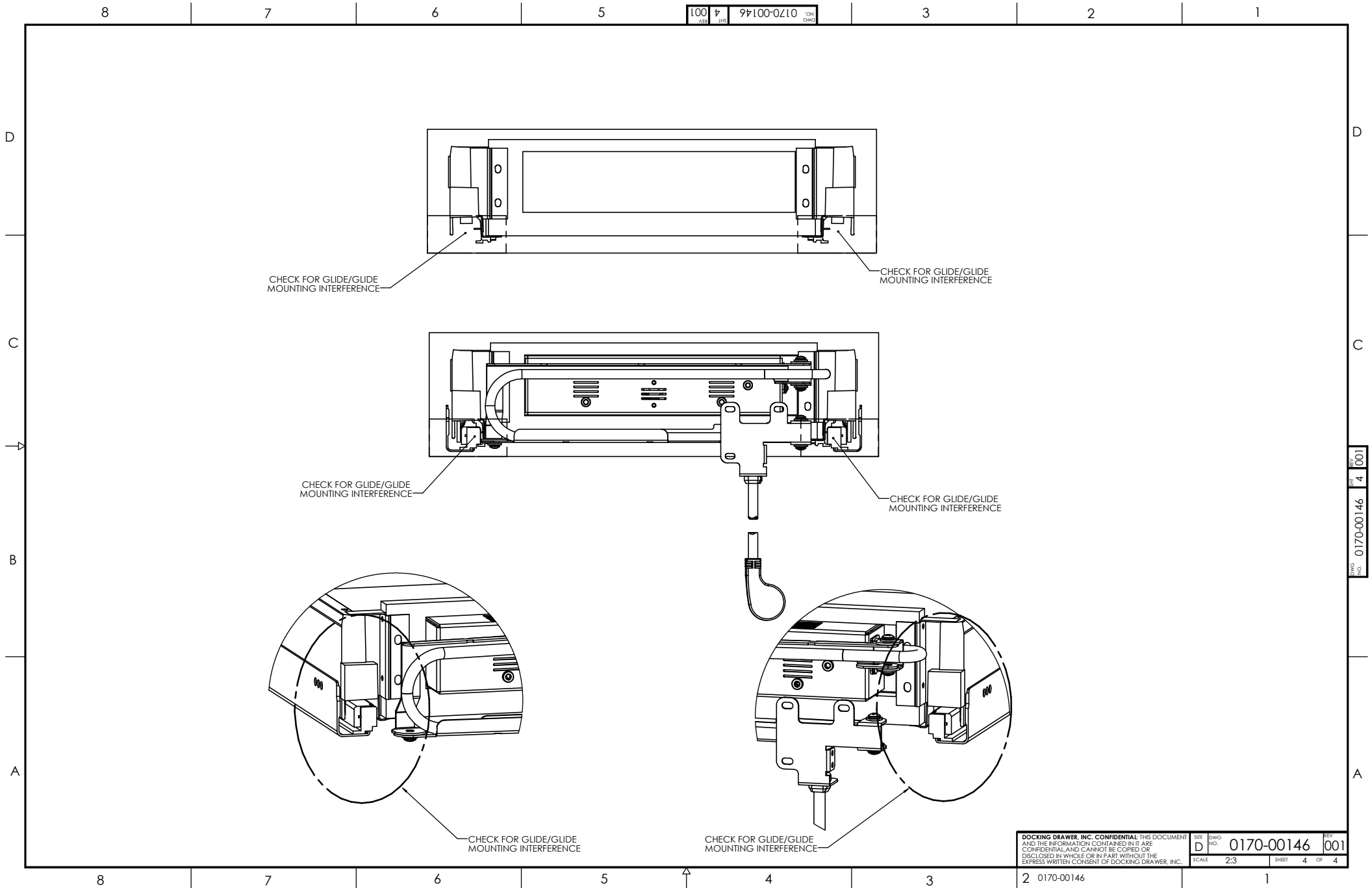
Blade Duo for TANDEMBOX M Height Drawers

Back to Contents →



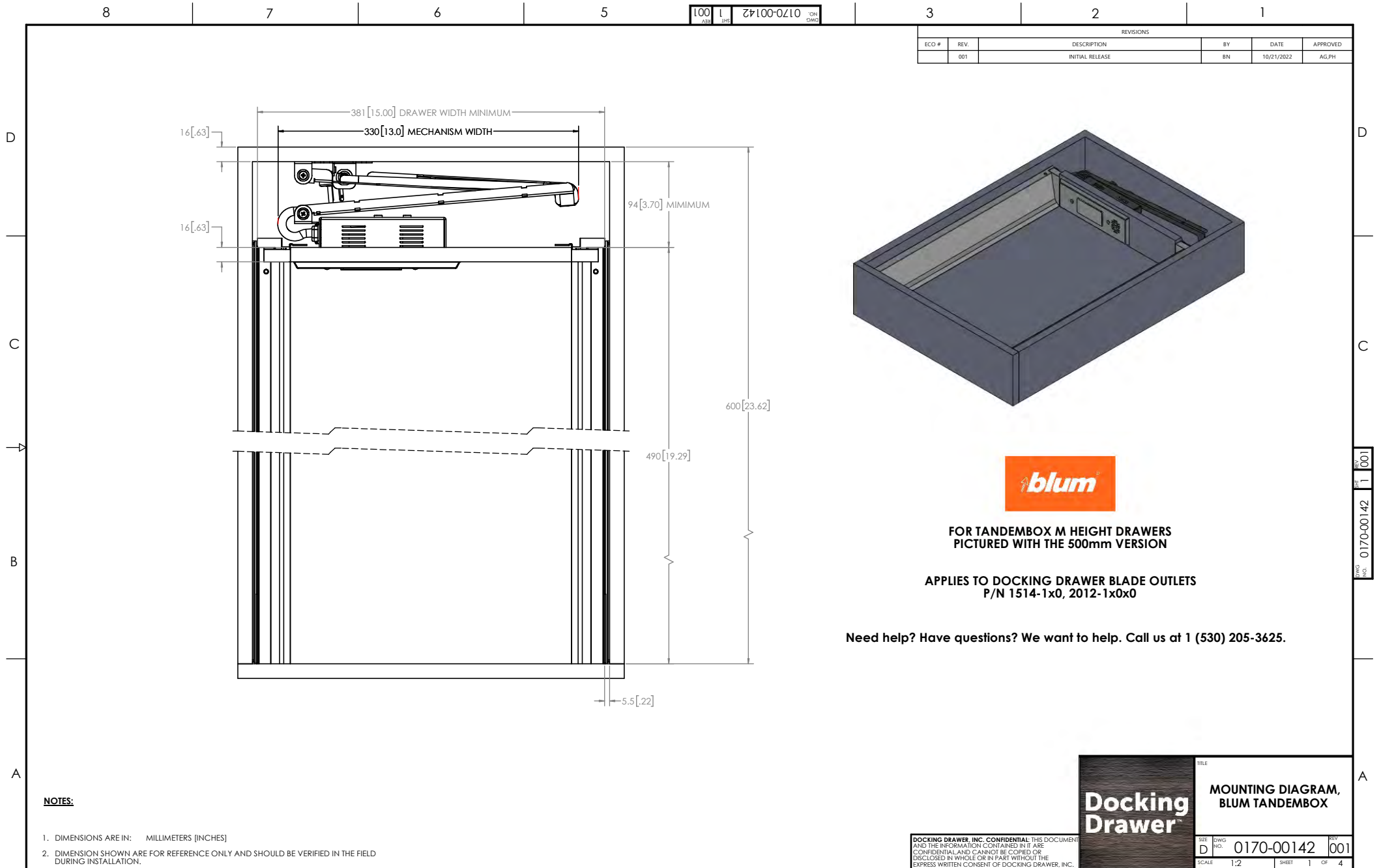
Blade Duo for TANDEMBOX M Height Drawers

Back to Contents →

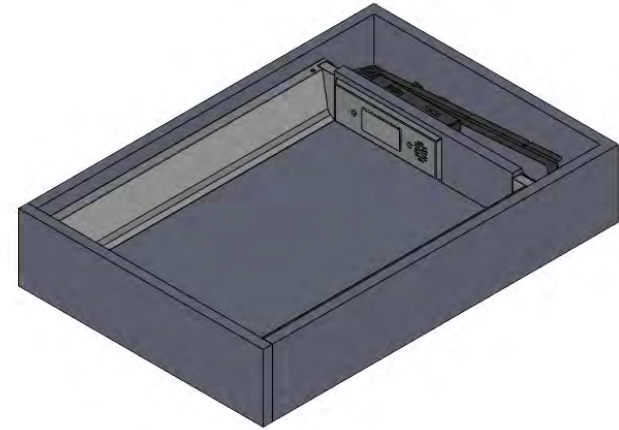


Blade for TANDEMBOX M Height Drawers

Back to Contents →



REVISIONS					
ECO #	REV.	DESCRIPTION	BY	DATE	APPROVED
	001	INITIAL RELEASE	BN	10/21/2022	AG,PH



**FOR TANDEMBOX M HEIGHT DRAWERS
PICTURED WITH THE 500mm VERSION**

**APPLIES TO DOCKING DRAWER BLADE OUTLETS
P/N 1514-1x0, 2012-1x0x0**

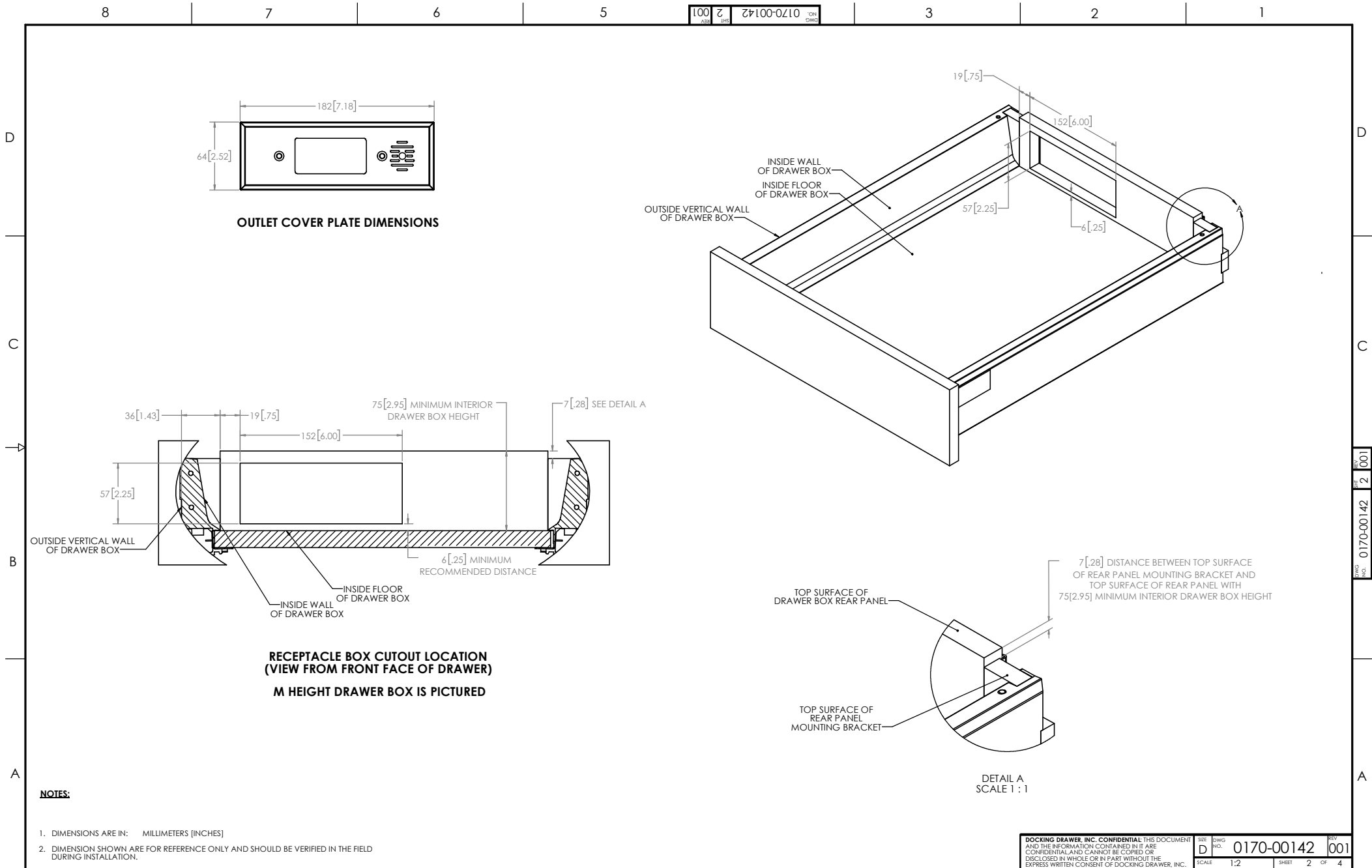
Need help? Have questions? We want to help. Call us at 1 (530) 205-3625.

- NOTES:**
- DIMENSIONS ARE IN: MILLIMETERS [INCHES]
 - DIMENSION SHOWN ARE FOR REFERENCE ONLY AND SHOULD BE VERIFIED IN THE FIELD DURING INSTALLATION.

DOCKING DRAWER, INC. CONFIDENTIAL. THIS DOCUMENT AND THE INFORMATION CONTAINED IN IT ARE CONFIDENTIAL AND CANNOT BE COPIED OR DISCLOSED IN WHOLE OR IN PART WITHOUT THE EXPRESS WRITTEN CONSENT OF DOCKING DRAWER, INC.

Docking Drawer	TITLE	
	MOUNTING DIAGRAM, BLUM TANDEMBOX	
SIZE	DWG. NO.	REV.
D	0170-00142	001
SCALE	1:2	SHEET 1 OF 4

Blade for TANDEMBOX M Height Drawers

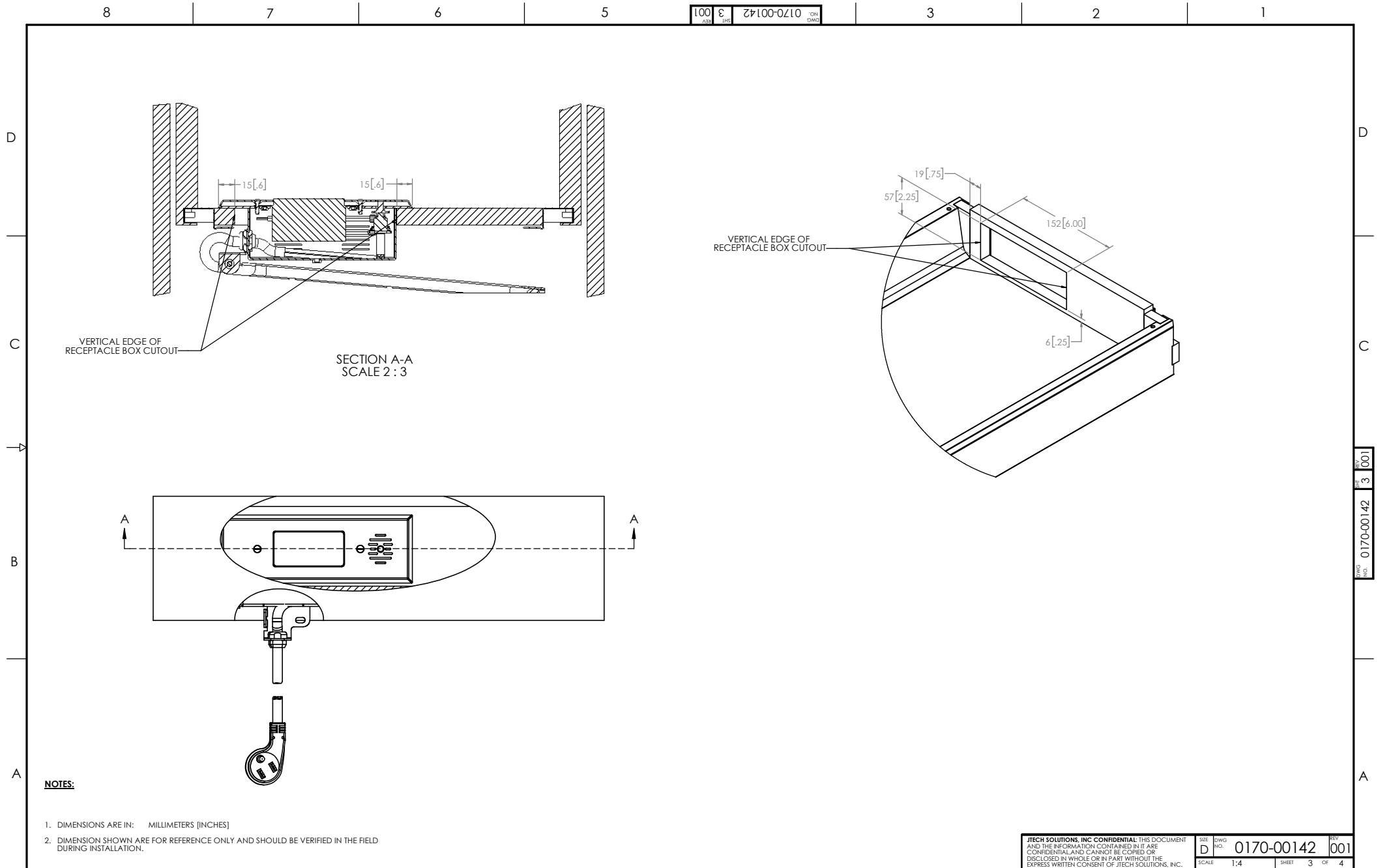


100 2 0170-00142 DWG

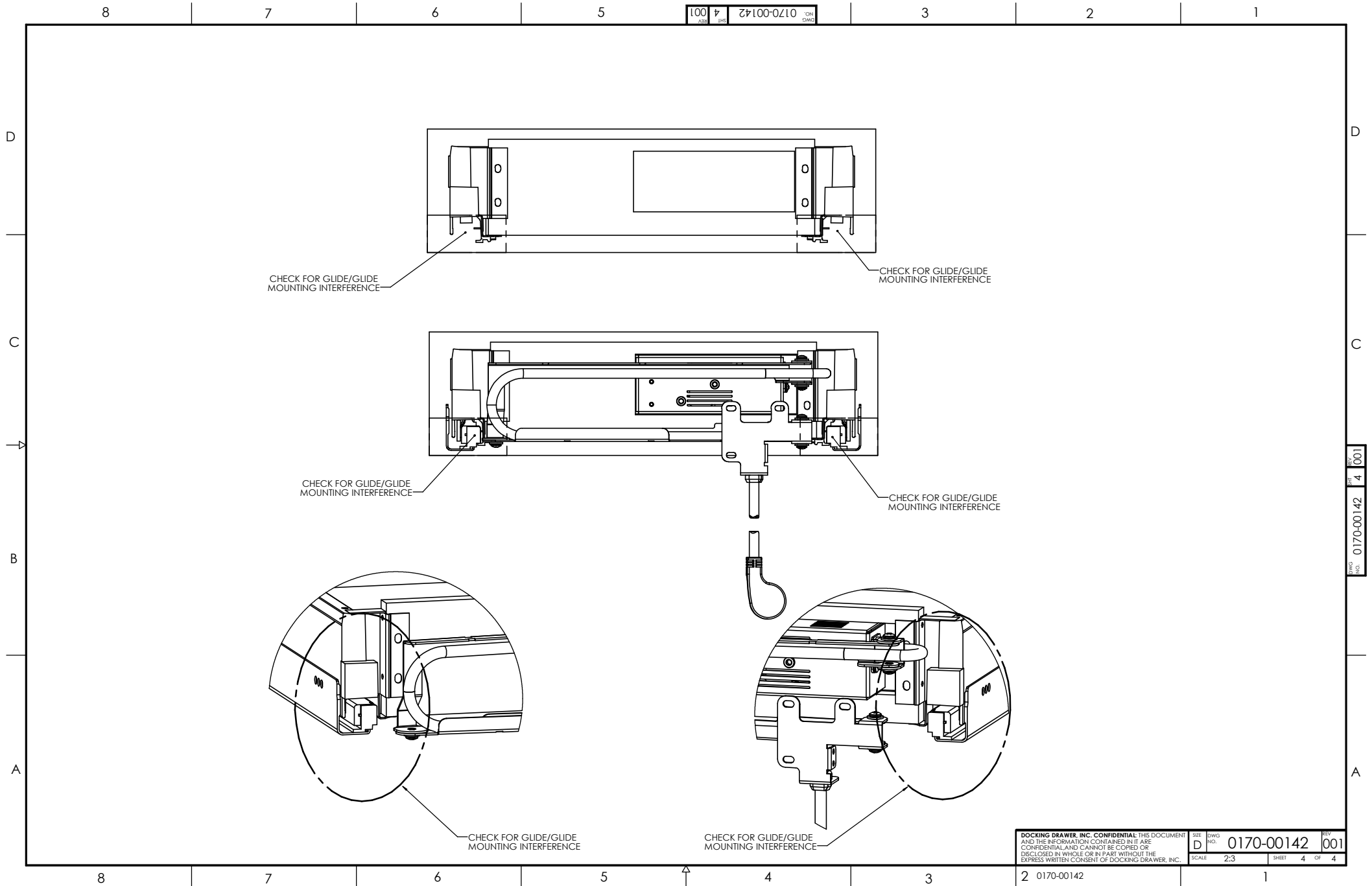
100 2 0170-00142 DWG

DOCKING DRAWER, INC. CONFIDENTIAL: THIS DOCUMENT AND THE INFORMATION CONTAINED IN IT ARE CONFIDENTIAL AND CANNOT BE COPIED OR DISCLOSED IN WHOLE OR IN PART WITHOUT THE EXPRESS WRITTEN CONSENT OF DOCKING DRAWER, INC.		SIZE	DWG NO.	REV
		D	0170-00142	001
SCALE	1:2	SHEET	2	OF 4

Blade for TANDEMBOX M Height Drawers

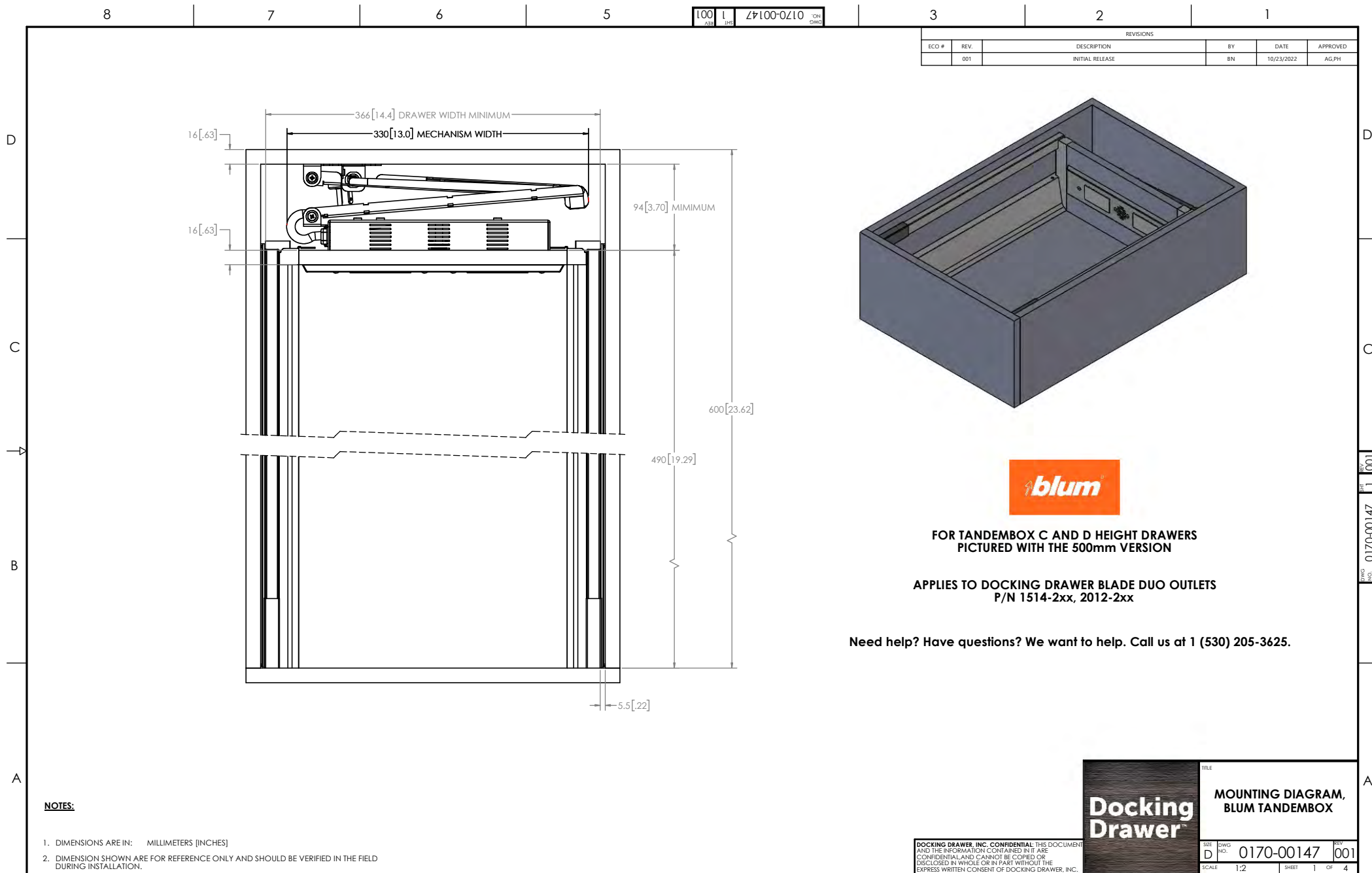


Blade for TANDEMBOX M Height Drawers



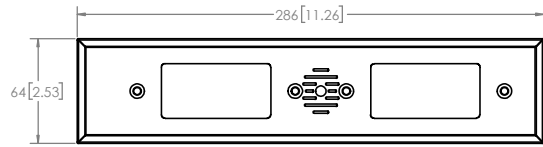
Blade Duo for TANDEMBOX C & D Height Drawers

Back to Contents →

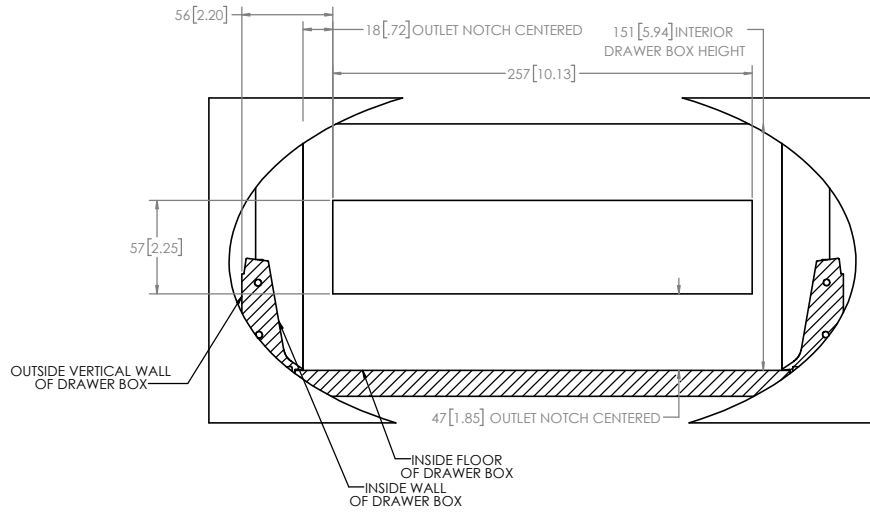


Blade Duo for TANDEMBOX C & D Height Drawers

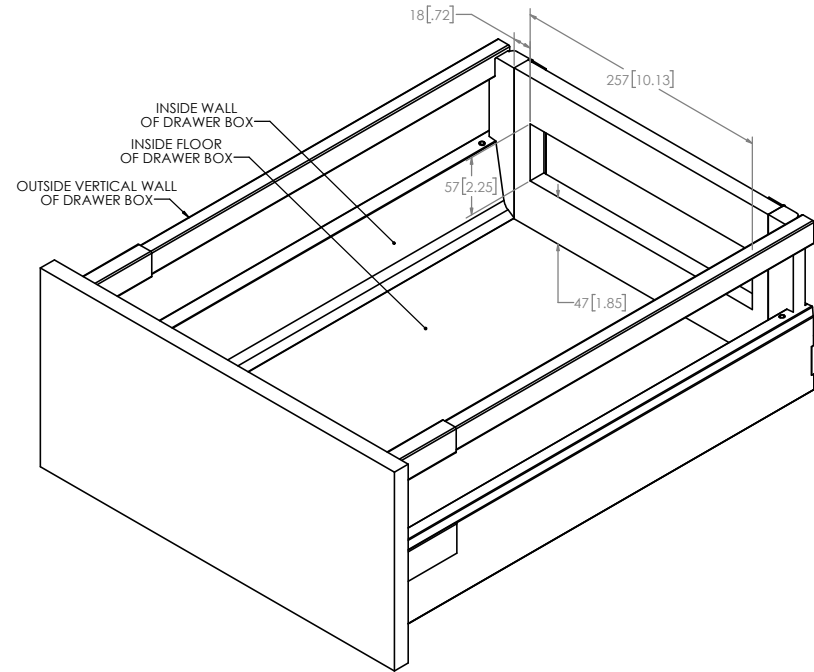
REV 2 01 0170-00147 DWG



OUTLET COVER PLATE DIMENSIONS



**RECEPTACLE BOX CUTOUT LOCATION
(VIEW FROM FRONT FACE OF DRAWER)
C HEIGHT DRAWER BOX IS PICTURED**



C HEIGHT DRAWER BOX IS PICTURED

**D HEIGHT DRAWER BOX IS TALLER AND
EASILY ACCOMODATES DOCKING DRAWER BLADE DUO OUTLETS**

NOTES:

1. DIMENSIONS ARE IN: MILLIMETERS [INCHES]
2. DIMENSION SHOWN ARE FOR REFERENCE ONLY AND SHOULD BE VERIFIED IN THE FIELD DURING INSTALLATION.

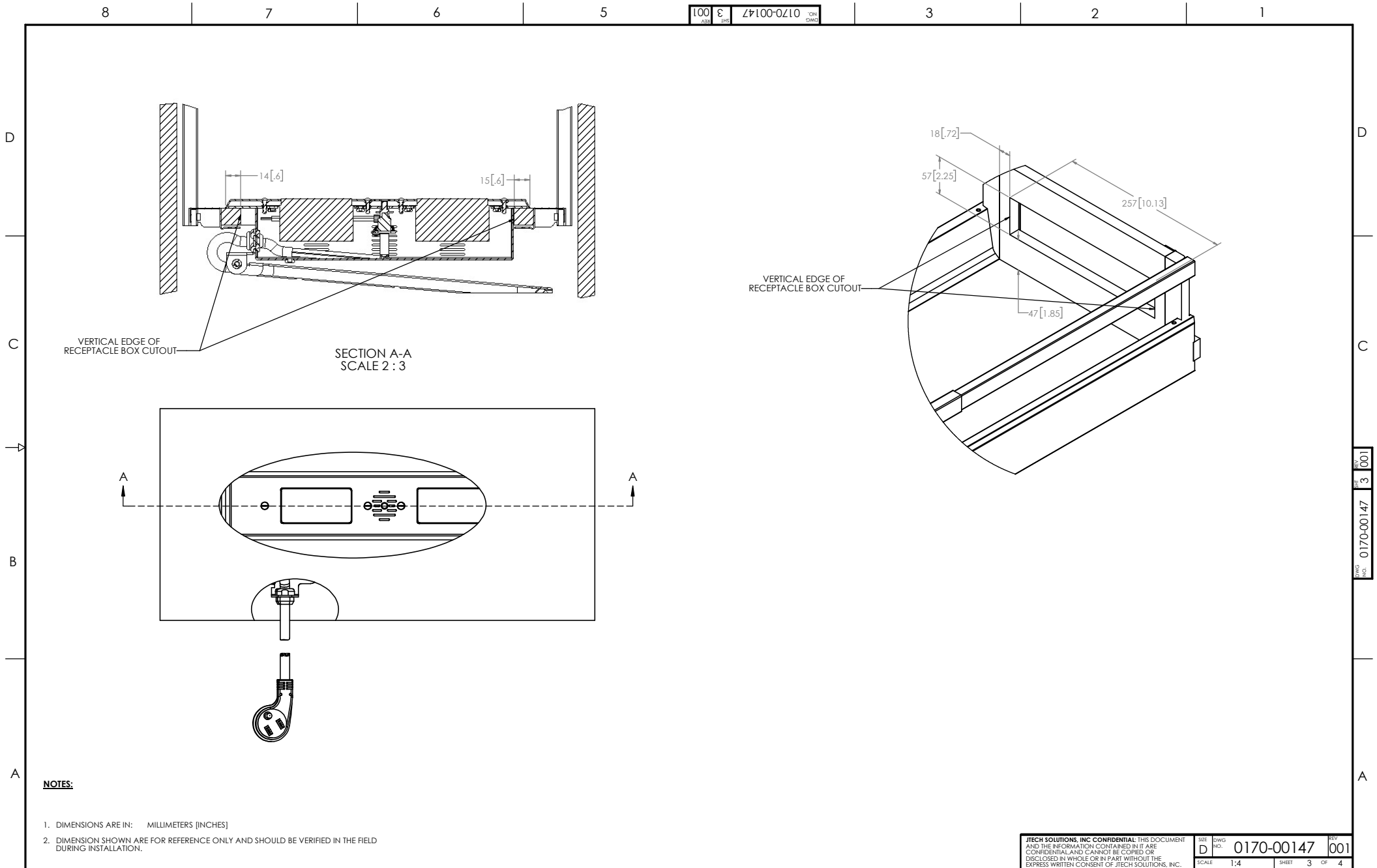
DOCKING DRAWER, INC. CONFIDENTIAL: THIS DOCUMENT AND THE INFORMATION CONTAINED IN IT ARE CONFIDENTIAL AND CANNOT BE COPIED OR DISCLOSED IN WHOLE OR IN PART WITHOUT THE EXPRESS WRITTEN CONSENT OF DOCKING DRAWER, INC.		SIZE	DWG NO.	REV
		SCALE	0170-00147	001
		SHEET	2	OF 4

2 0170-00147

1

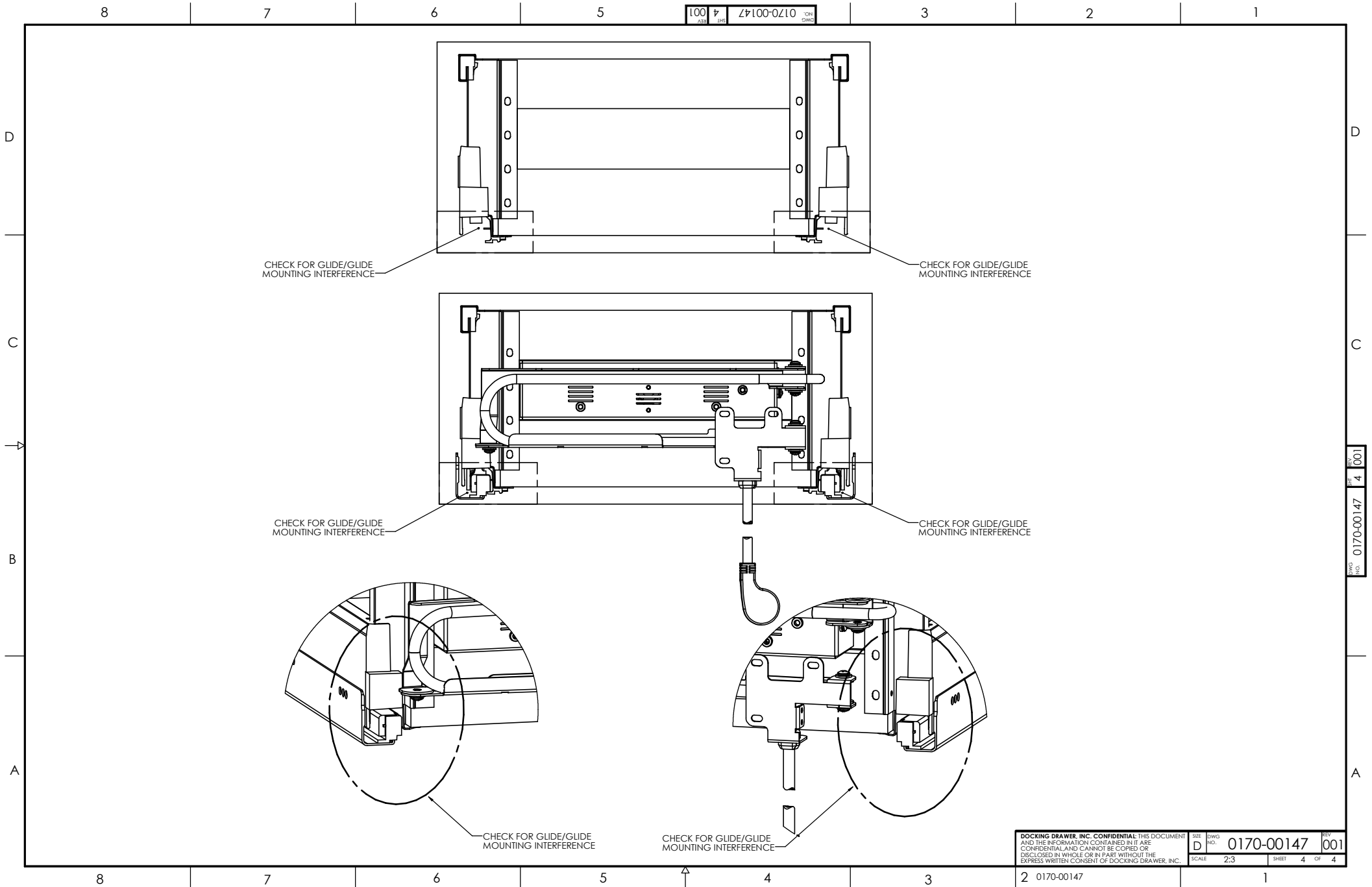
Blade Duo for TANDEMBOX C & D Height Drawers

Back to Contents →



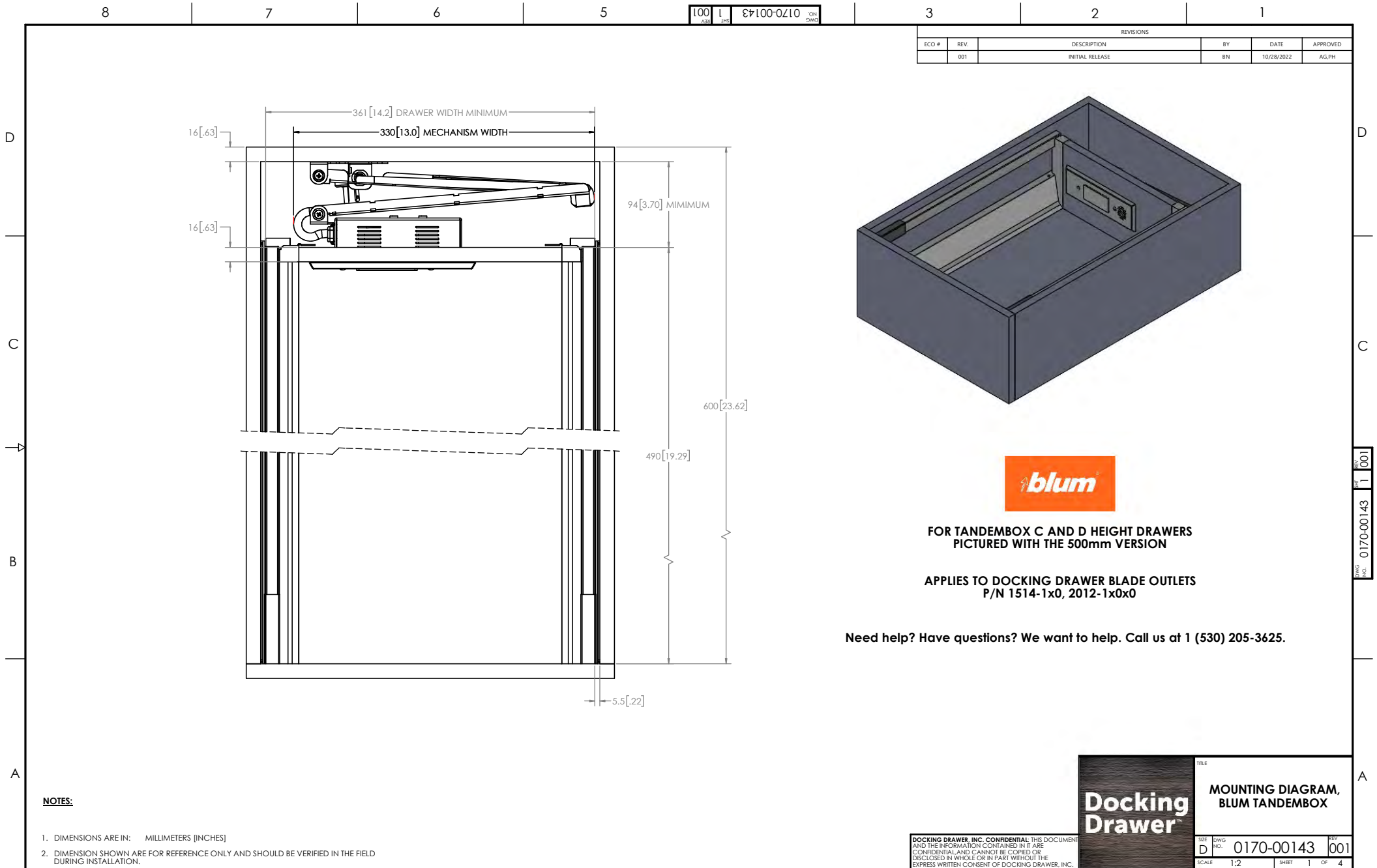
Blade Duo for TANDEMBOX C & D Height Drawers

Back to Contents →



Blade for TANDEMBOX C & D Height Drawers

Back to Contents →



REVISIONS					
ECO #	REV.	DESCRIPTION	BY	DATE	APPROVED
	001	INITIAL RELEASE	BN	10/28/2022	AG,PH



FOR TANDEMBOX C AND D HEIGHT DRAWERS
PICTURED WITH THE 500mm VERSION

APPLIES TO DOCKING DRAWER BLADE OUTLETS
P/N 1514-1x0, 2012-1x0x0

Need help? Have questions? We want to help. Call us at 1 (530) 205-3625.

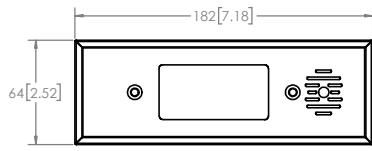
- NOTES:**
1. DIMENSIONS ARE IN: MILLIMETERS [INCHES]
 2. DIMENSION SHOWN ARE FOR REFERENCE ONLY AND SHOULD BE VERIFIED IN THE FIELD DURING INSTALLATION.

DOCKING DRAWER, INC. CONFIDENTIAL: THIS DOCUMENT AND THE INFORMATION CONTAINED IN IT ARE CONFIDENTIAL AND CANNOT BE COPIED OR DISCLOSED IN WHOLE OR IN PART WITHOUT THE EXPRESS WRITTEN CONSENT OF DOCKING DRAWER, INC.

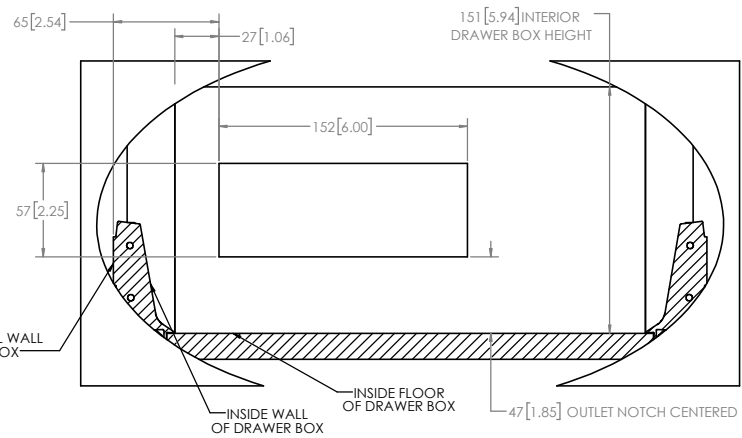
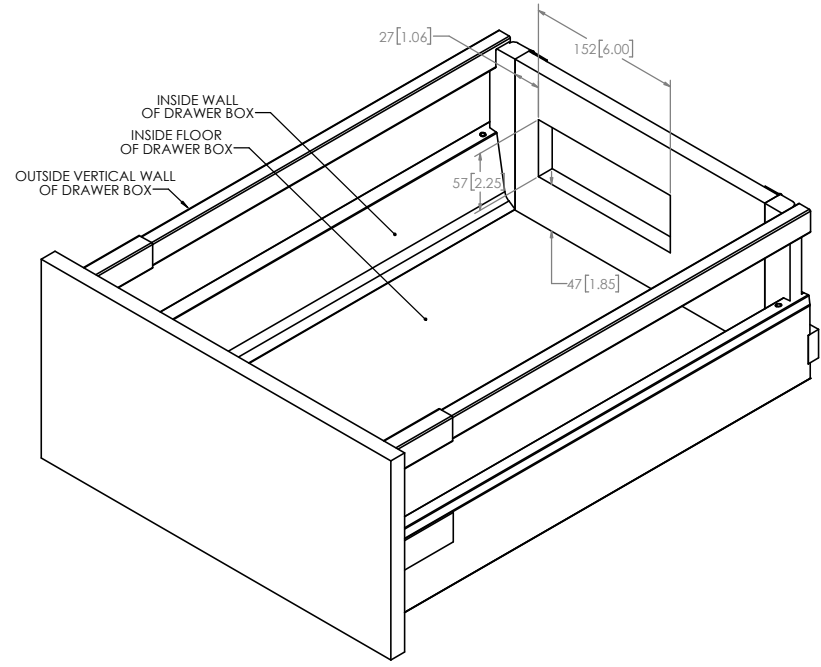
	TITLE	
	MOUNTING DIAGRAM, BLUM TANDEMBOX	
SIZE	DWG. NO.	REV.
D	0170-00143	001
SCALE	1:2	SHEET 1 OF 4

Blade for TANDEMBOX C & D Height Drawers

100 2 001
REV. 2 001
DWG. NO. 0170-00143



OUTLET COVER PLATE DIMENSIONS



**RECEPTACLE BOX CUTOUT LOCATION
(VIEW FROM FRONT FACE OF DRAWER)
C HEIGHT DRAWER BOX IS PICTURED**

**C HEIGHT DRAWER BOX IS PICTURED
D HEIGHT DRAWER BOX IS TALLER AND
EASILY ACCOMODATES DOCKING DRAWER BLADE OUTLETS**

NOTES:

1. DIMENSIONS ARE IN: MILLIMETERS [INCHES]
2. DIMENSION SHOWN ARE FOR REFERENCE ONLY AND SHOULD BE VERIFIED IN THE FIELD DURING INSTALLATION.

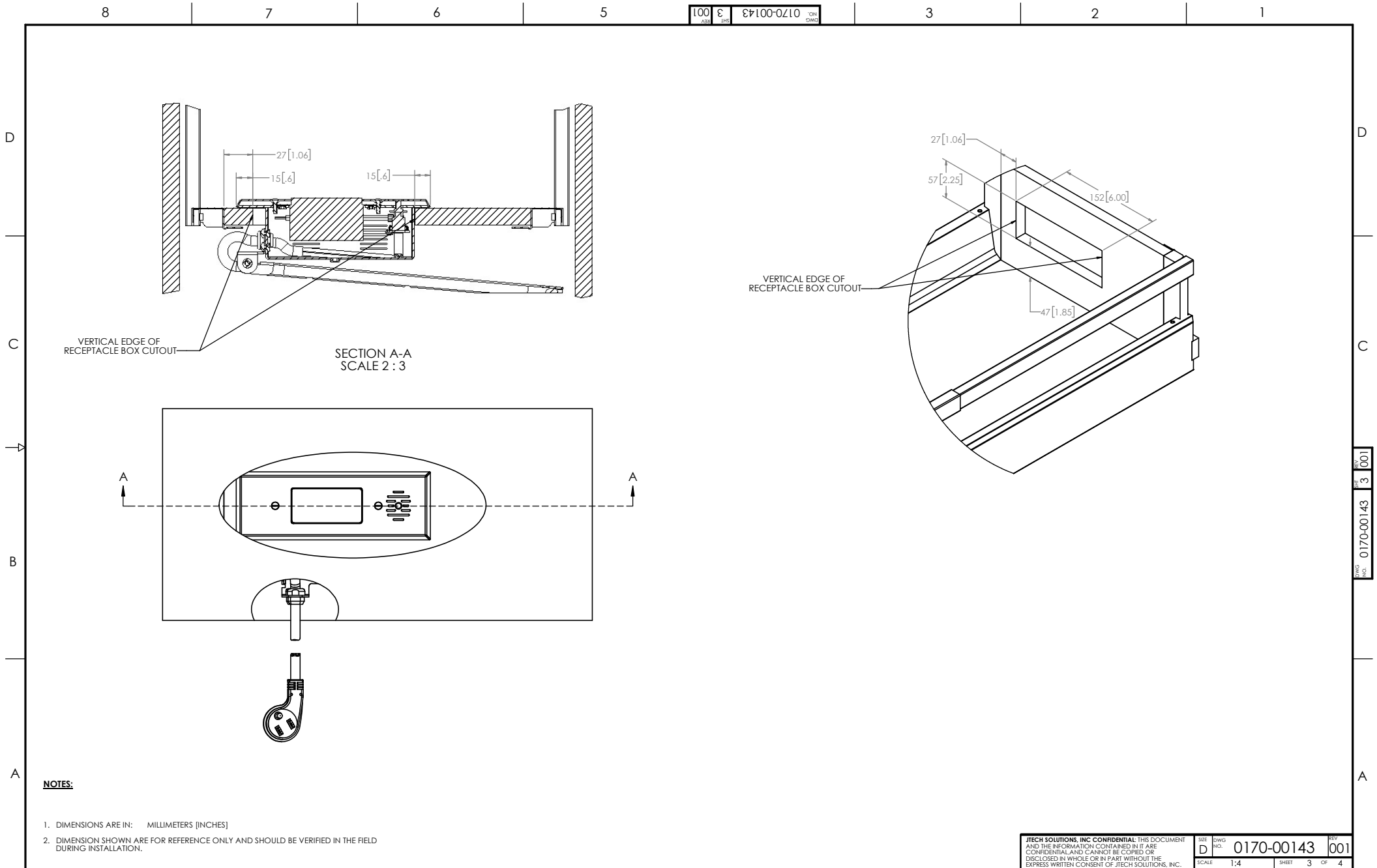
DOCKING DRAWER, INC. CONFIDENTIAL: THIS DOCUMENT AND THE INFORMATION CONTAINED IN IT ARE CONFIDENTIAL AND CANNOT BE COPIED OR DISCLOSED IN WHOLE OR IN PART WITHOUT THE EXPRESS WRITTEN CONSENT OF DOCKING DRAWER, INC.		SIZE: D	DWG. NO.: 0170-00143	REV. 001
		SCALE: 1:2	SHEET 2 OF 4	

2 0170-00143

1

Blade for TANDEMBOX C & D Height Drawers

Back to Contents →



Blade for TANDEMBOX C & D Height Drawers

Back to Contents →

